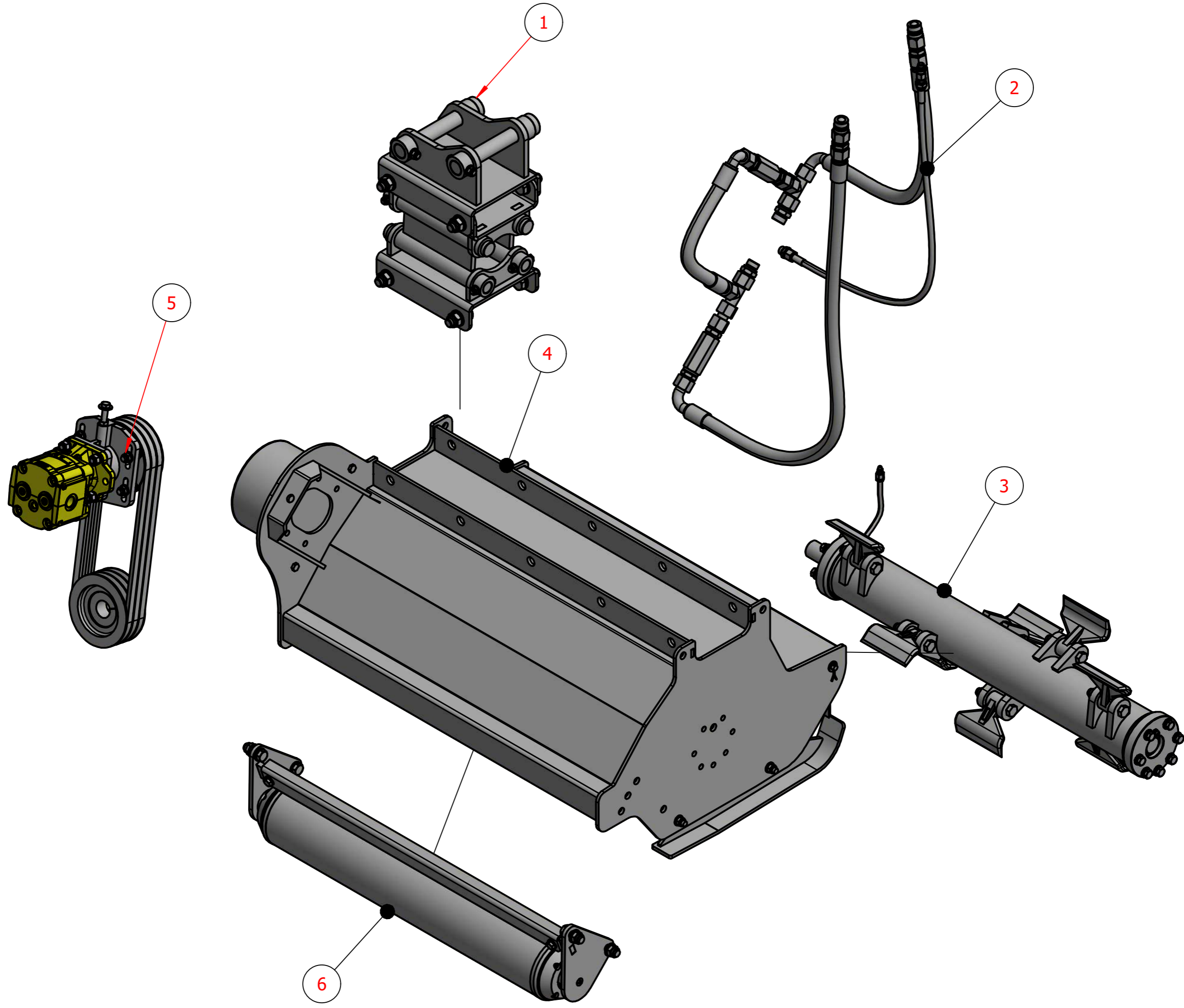


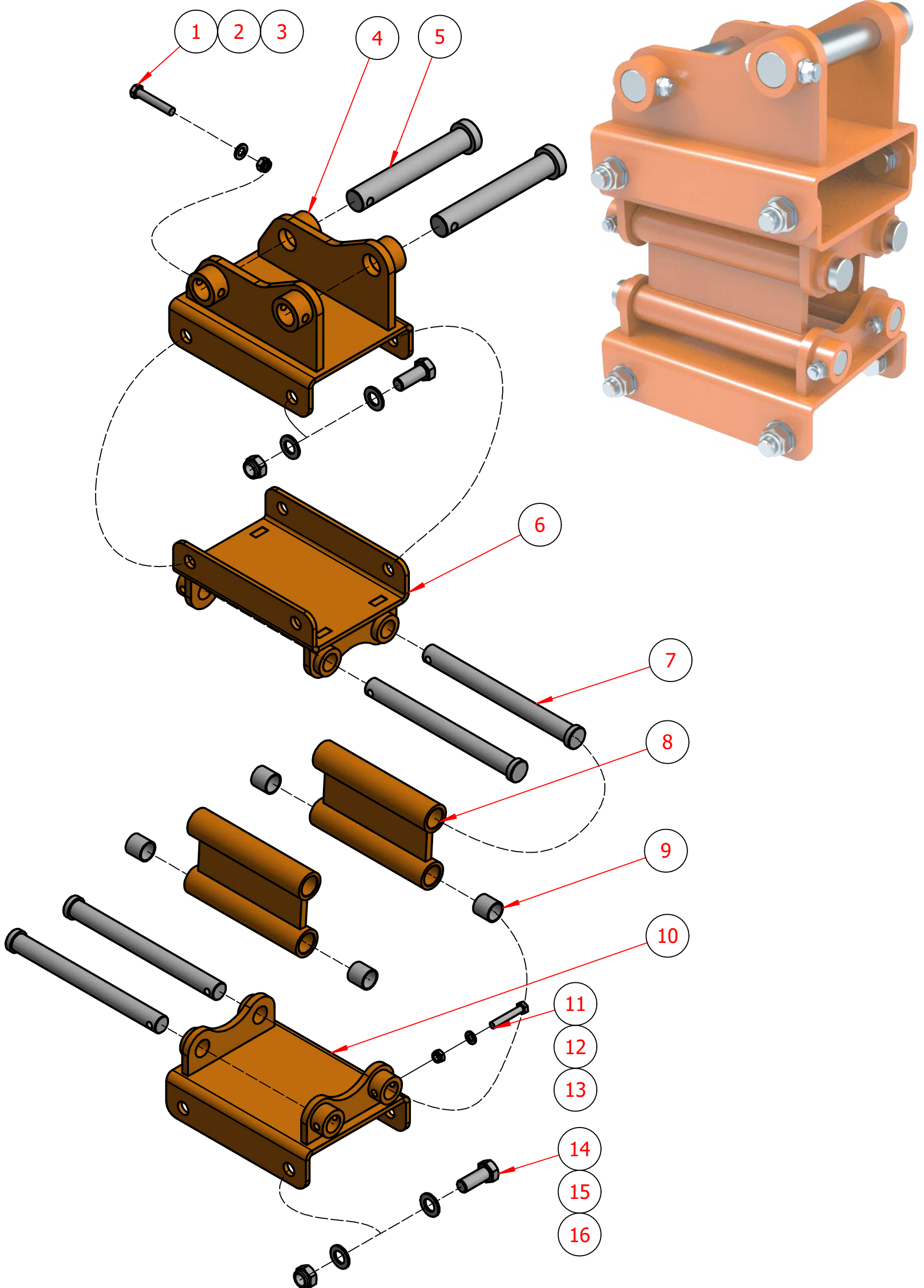
**WVDA GENERAL VIEW**



## WVDA GENERAL VIEW

<b>Item</b>	<b>P.N.</b>	<b>Description</b>	<b>Qty</b>	<b>Remarks</b>
1		Linkage part	1	
2		Oil assembly	1	
3		Blade shaft	1	
4		Hood	1	
5		Transmission assmbly	1	
6		Roller	1	

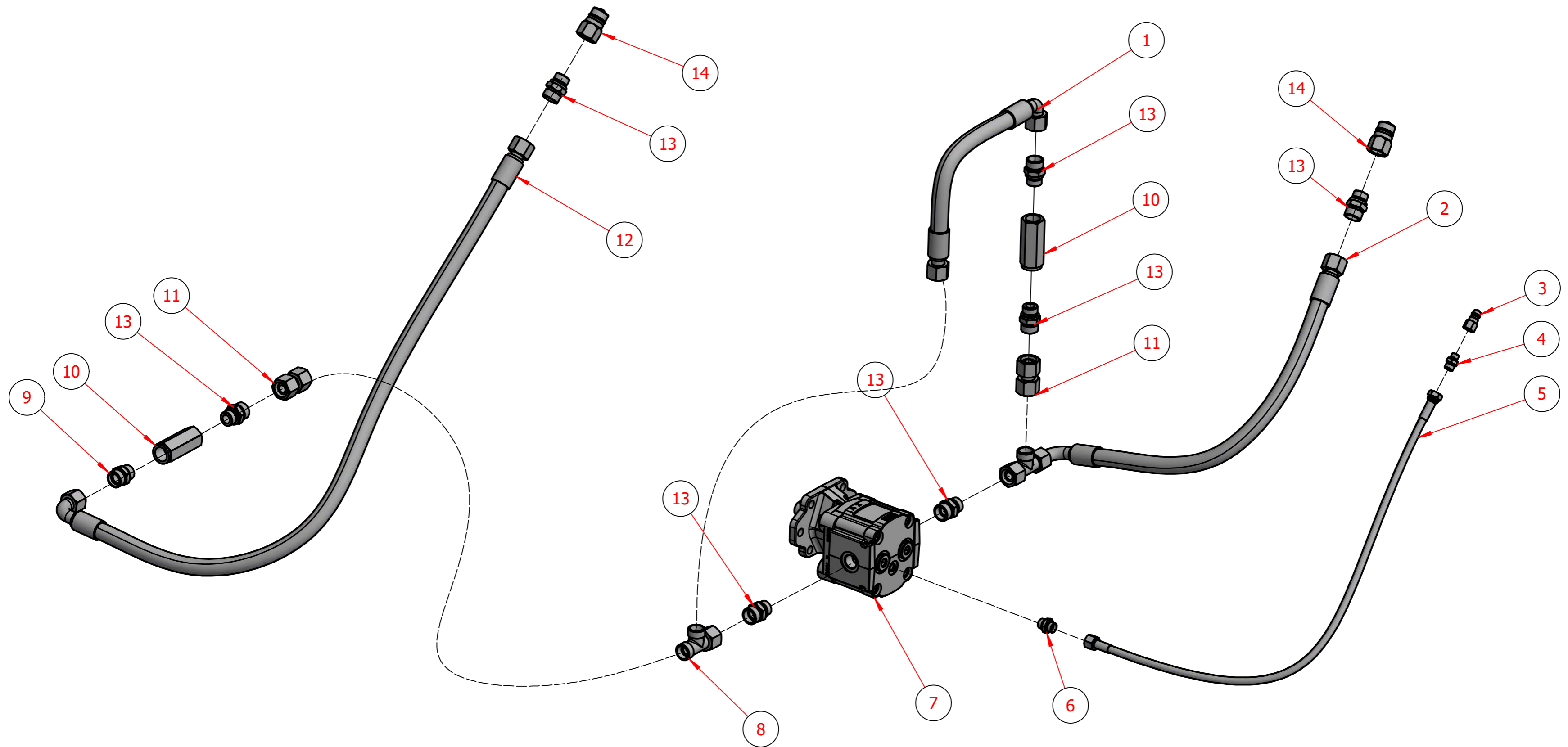
# Linkage part



## Linkage part

<b>Item</b>	<b>P.N.</b>	<b>Description</b>	<b>Qty</b>	<b>Remarks</b>
1	GB/T 5783	Bolt M12x70	2	
2	GB/T 97.1	Plain washer 12	2	
3	GB/T 889.1	Lock nut M12	2	
4	WVDA100.011	Linkage seat weldment	1	
5	WVDA100.101	Pin	2	
6	WVDA100.012	Up swing seat weldment	1	
7	WVDA100.106	Swing frame shaft	4	
8	WVDA100.013	Swing frame weldment	2	
9	SF-2	Bearing 28x32x30	8	
10	WVDA100.014	Down swing seat weldment	1	
11	GB/T 5783	Bolt M10x60	4	
12	GB/T 97.1	Plain washer 10	4	
13	GB/T 889.1	Lock nut M10	4	
14	GB/T 5783	Bolt M20x45	8	
15	GB/T 97.1	Plain washer 20	16	
16	GB/T 889.1	Lock nut M20	8	

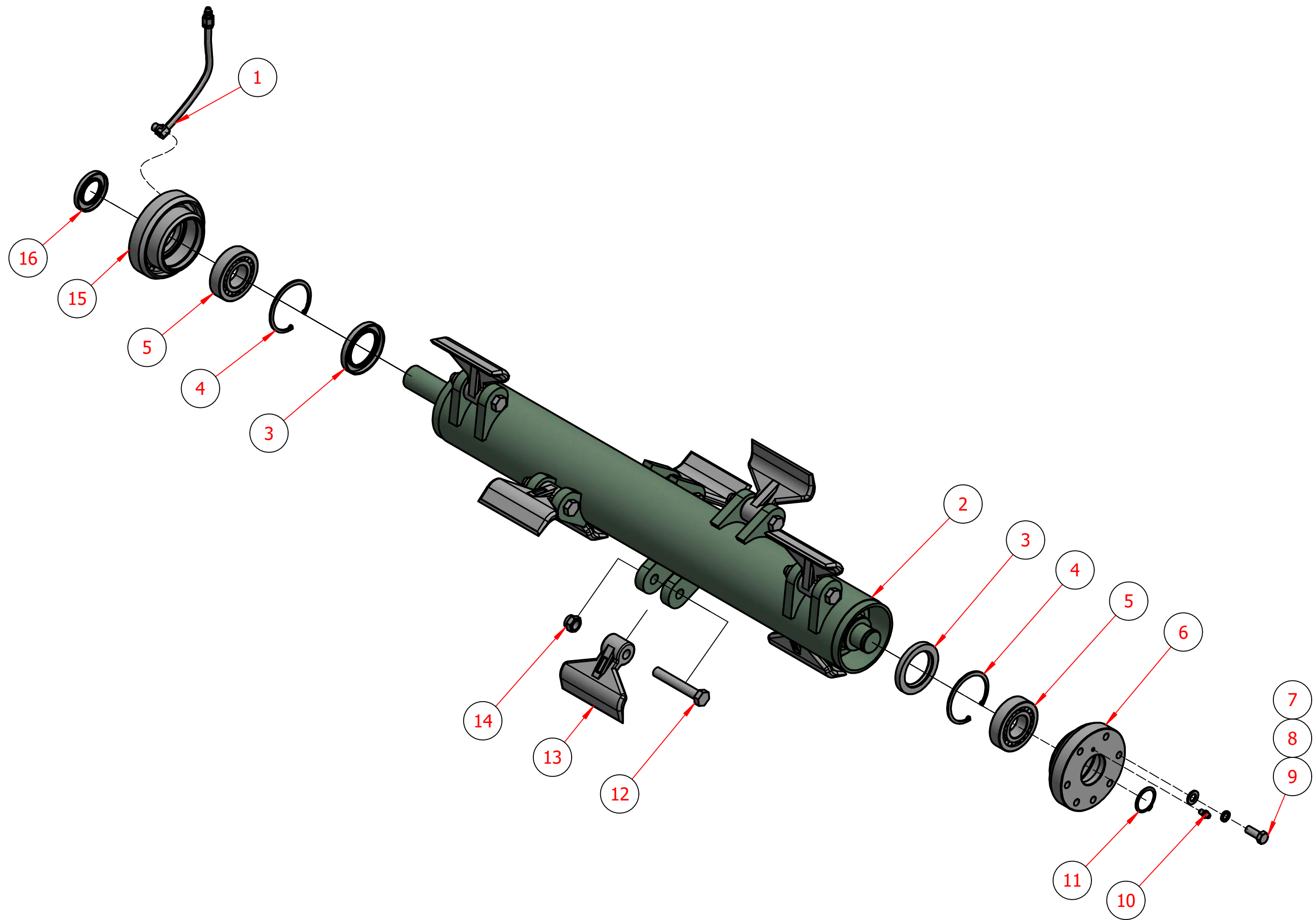
# Oil hoses



## Oil hoses

<b>Item</b>	<b>P.N.</b>	<b>Description</b>	<b>Qty</b>	<b>Remarks</b>
1	WVDA100.018	Oil hose	1	
2	WVDA100.017	Oil hose	1	
3	TY-KHJT-08G	Quick connector	1	
4	1CB-16-04WD	Transition joints	1	
5	C130-0019	Motor return pipe	1	
6	1CM-18WD	Transition joints	1	
7	27A3	Motor	1	
8	CC-30W	Connector	2	
9	1CB-30-12WD	Transition joints	1	
10	CIT-06	Check valve	2	
11	3C-30W	Connector	2	
12	WVDA100.017A	Hose	1	
13	1DB-30-12WD	Connector	7	
14	LSQ-S6-06PF	Quick connector	2	

# Blade shaft assembly

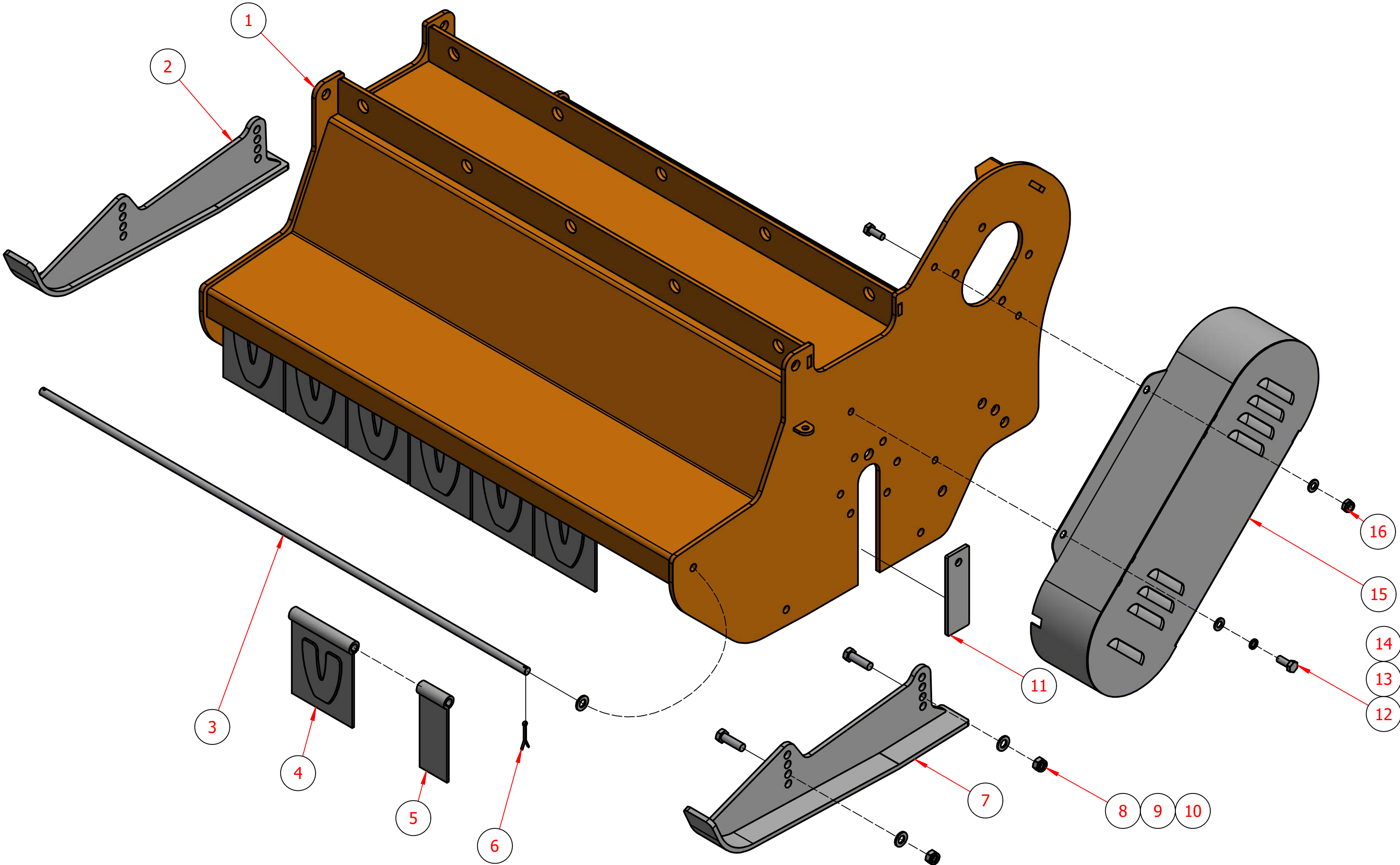


## Blade shaft assembly

<b>Item</b>	<b>P.N.</b>	<b>Description</b>	<b>Qty</b>	<b>Remarks</b>
1	RMC200.015	Grease hose	1	
2	VDA170.016	Blade shaft	1	
3	GB13871-94	Oil seal 60x90x10	2	
4	GB 893.1-86	Circlip 90	2	
5	GB/T 276-94	Bearing 1308	2	
6	VFSH200.108	Bearing seat	1	
7	GB/T 97.1	Plain washer12	14	
8	GB 93-87	Spring washer12	14	
9	GB/T 5783	Bolt M12x30	14	
10	GB1152-89	Oil cup M8x1	1	
11	GB 894.1-86	Circlip 40	1	
12	GB/T 5783	Bolt M16x100	8	
13	RMC200.111	Blade	8	
14	GB/T 889.1	Lock nut M16	8	
15	VFSH200.110	Bearing seat	1	
16	GB13871-94	Oil seal 40x70x8	1	



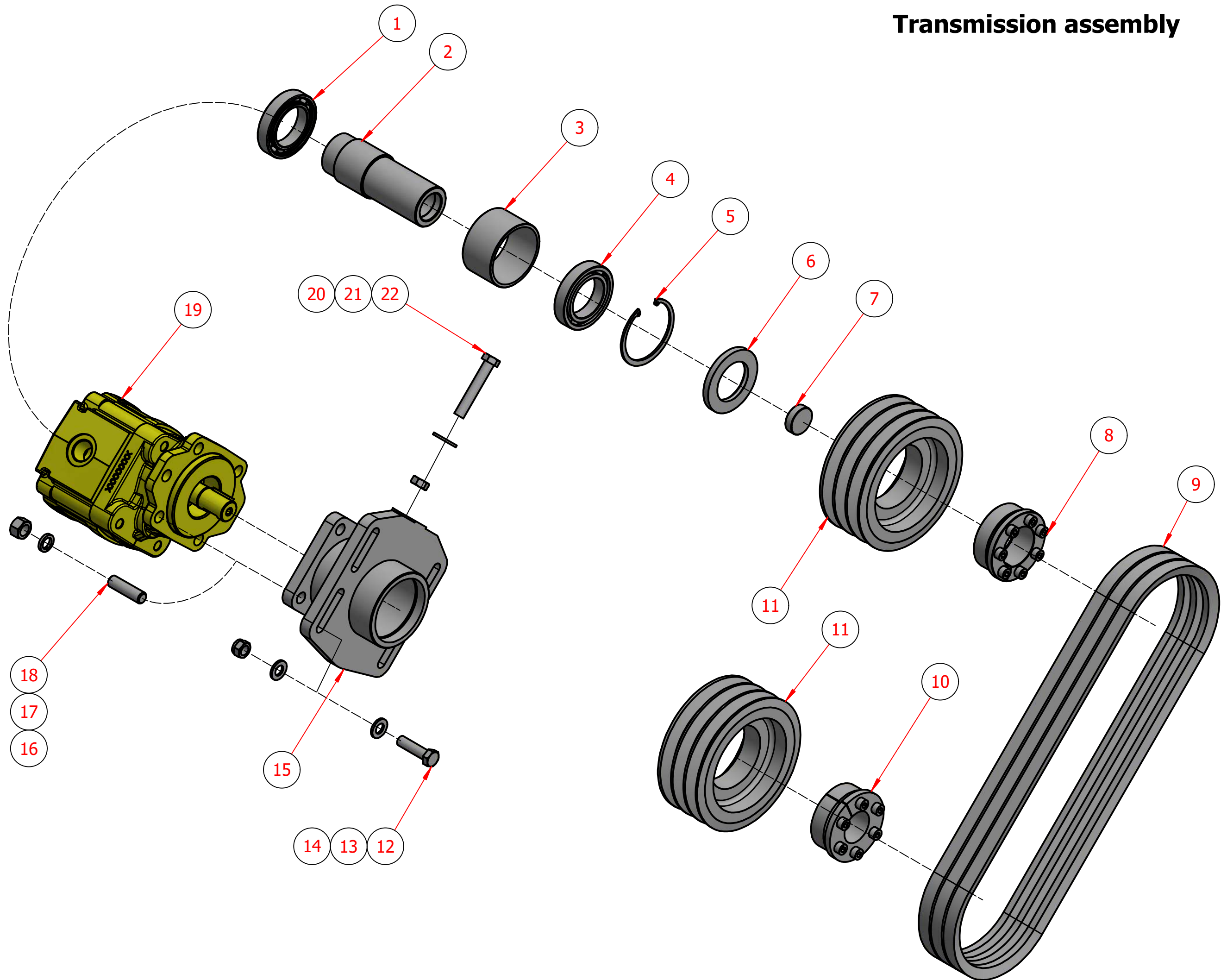
Hood assembly



## Hood assembly

<b>Item</b>	<b>P.N.</b>	<b>Description</b>	<b>Qty</b>	<b>Remarks</b>
1	WVDA100.015	Hood weldment	1	
2	RMC200.013	Right base weldment	1	
3	RMC100.102	Rod	1	
4	RMC200.103	Big protection plate	7	
5	RMC200.103A	Small protection plate	1	
6	GB/T 91	Cotter pin 4x32	2	
7	RMC200.012	Left base weldment	1	
8	GB/T 889.1	Lock nut M12	4	
9	GB/T 97.1	Plain washer 12	19	
10	GB/T 5783	Bolt M12x40	4	
11	VDA170.101	Plate	1	
12	GB/T 5783	Bolt M10X25	4	
13	GB 93-87	Spring washer 10	2	
14	GB/T 97.1	Plain washer10	4	
15	WVDA100.016	Belt wheel cover	1	
16	GB/T 889.1	Lock nut M10	2	

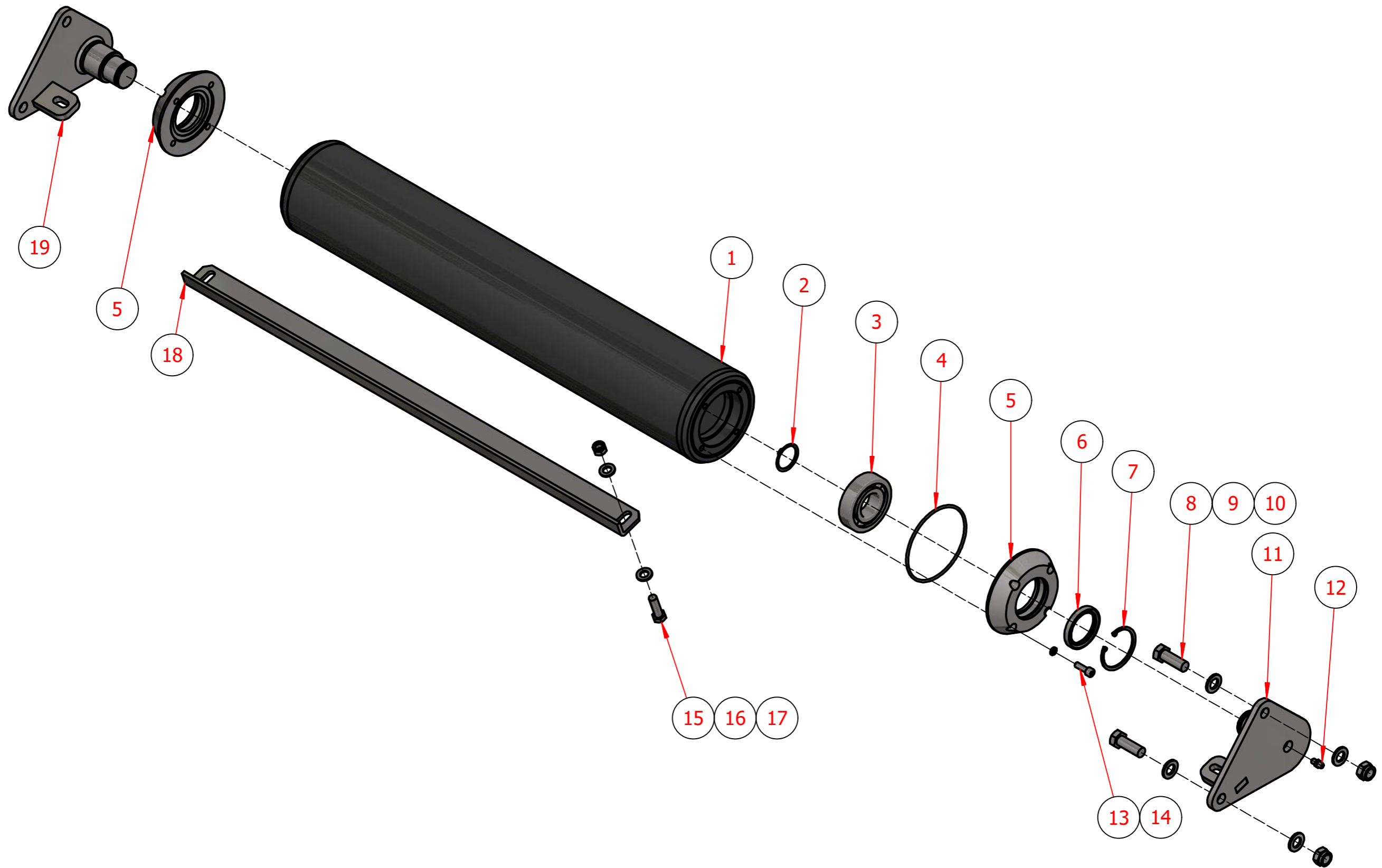
# Transmission assembly



## Transmission assembly

Item	P.N.	Description	Qty	Remarks
1	GB/T 276-94	Bearing 80110	1	
2	WVDA100.104	Transmission shaft	1	
3	WVDA100.103	Spacer	1	
4	GB/T 276-94	Bearing 6010	1	
5	GB 893.1-86	Circlip 80	1	
6	GB13871-94	Oil seal 50x80x10	1	
7	WVDA100.102	Nylon plug	1	
8	JB/T7934Z3	REACH05 50x80	1	
9	GB/T1154-97	Belt 1170	3	
10	JB/T7934Z3	REACH15 40x80	1	
11	RMC200.114A	Belt wheel	2	
12	GB/T 5783	Bolt M12x45	4	
13	GB/T 97.1	Plain washer 12	8	
14	GB/T 889.1	Lock nut M12	4	
15	WVDA100.105	Bearing seat	1	
16	GB/T 6170	Nut M14	4	
17	GB 93-87	Spring washer14	4	
18	GB/T 953	Bolt M14x40	4	
19	27A3	Motor	1	
20	GB/T 6170	Nut M12	1	
21	GB/T 96.1	Big wsher 12	1	
22	GB/T 5783	Bolt M12x70	1	

# Roller assembly



## Roller assembly

<b>Item</b>	<b>P.N.</b>	<b>Description</b>	<b>Qty</b>	<b>Remarks</b>
1	RMC100.028	Roller	1	
2	GB 894.1-86	Circlip 40	2	
3	GB/T 276-94	Bearing 6308	2	
4	GB/T 3452.1-2005	O ring 120x3.55	2	
5	RMC200.117	Roller bearing seat	2	
6	GB13871-94	Oil seal 50x68x8	2	
7	GB 893.1-86	Circlip 68	2	
8	GB/T 5783	Bolt M16x45	4	
9	GB/T 97.1	Plain washer 16	8	
10	GB/T 889.1	Lock nut M16	4	
11	RMC200.027	Roller plate	1	
12	GB1152-89	Grease nipple	2	
13	GB/T 70.1	Screw M8x25	8	
14	GB 93-87	Spring washer8	8	
15	GB/T 5783	Bolt M12x40	2	
16	GB/T 97.1	Plain washer 12	4	
17	GB/T 889.1	Lock nut M12	2	
18	VM100.101	Scraper	1	
19	RMC200.030	Roller plate	1	