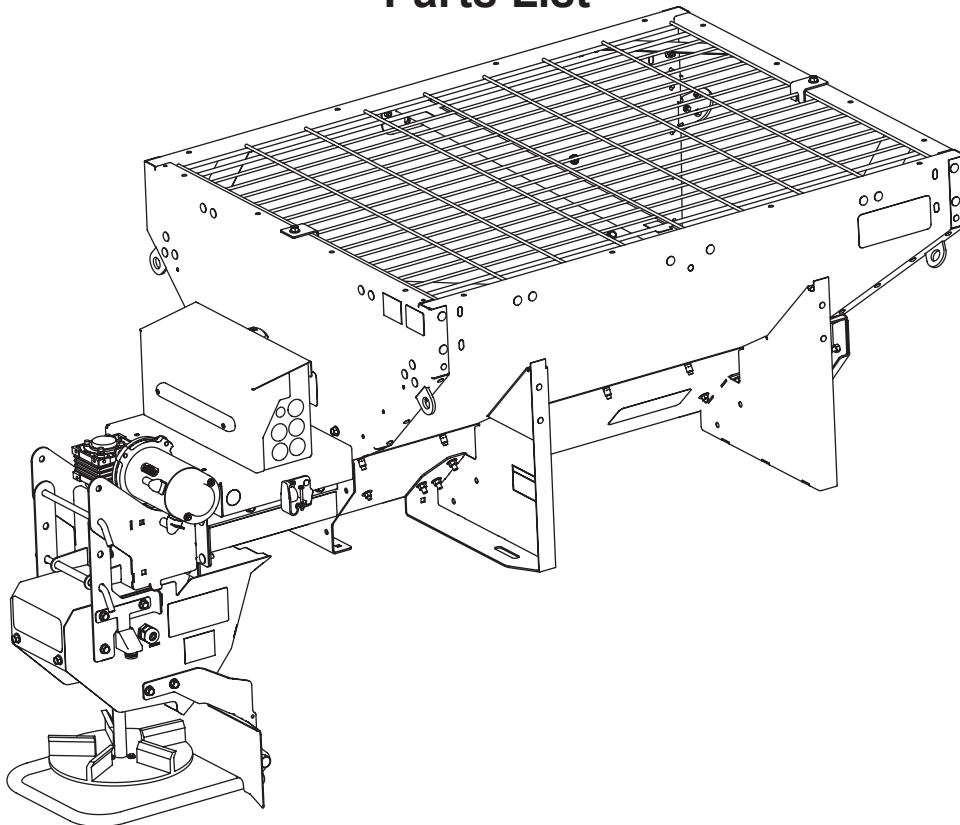




HELIXX™ Stainless Steel Hopper Spreader

0.35 yd³ & 0.7 yd³

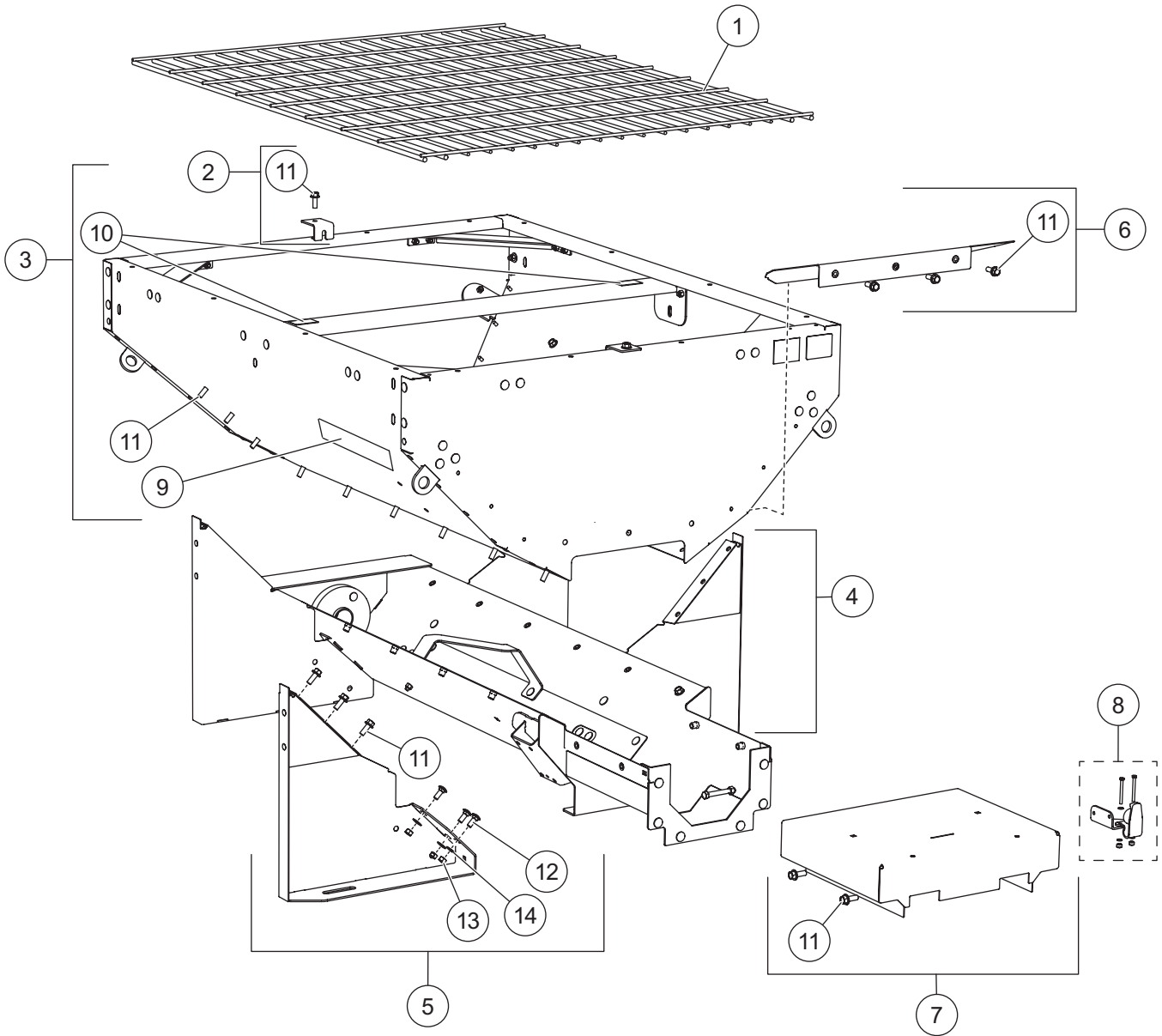
Parts List



This Parts List is for HELIXX stainless steel hopper spreaders
with serial numbers beginning with 200706 and higher.

HELIXX™ STAINLESS STEEL HOPPER SPREADERS

HOPPER COMPONENTS – 0.7 yd³

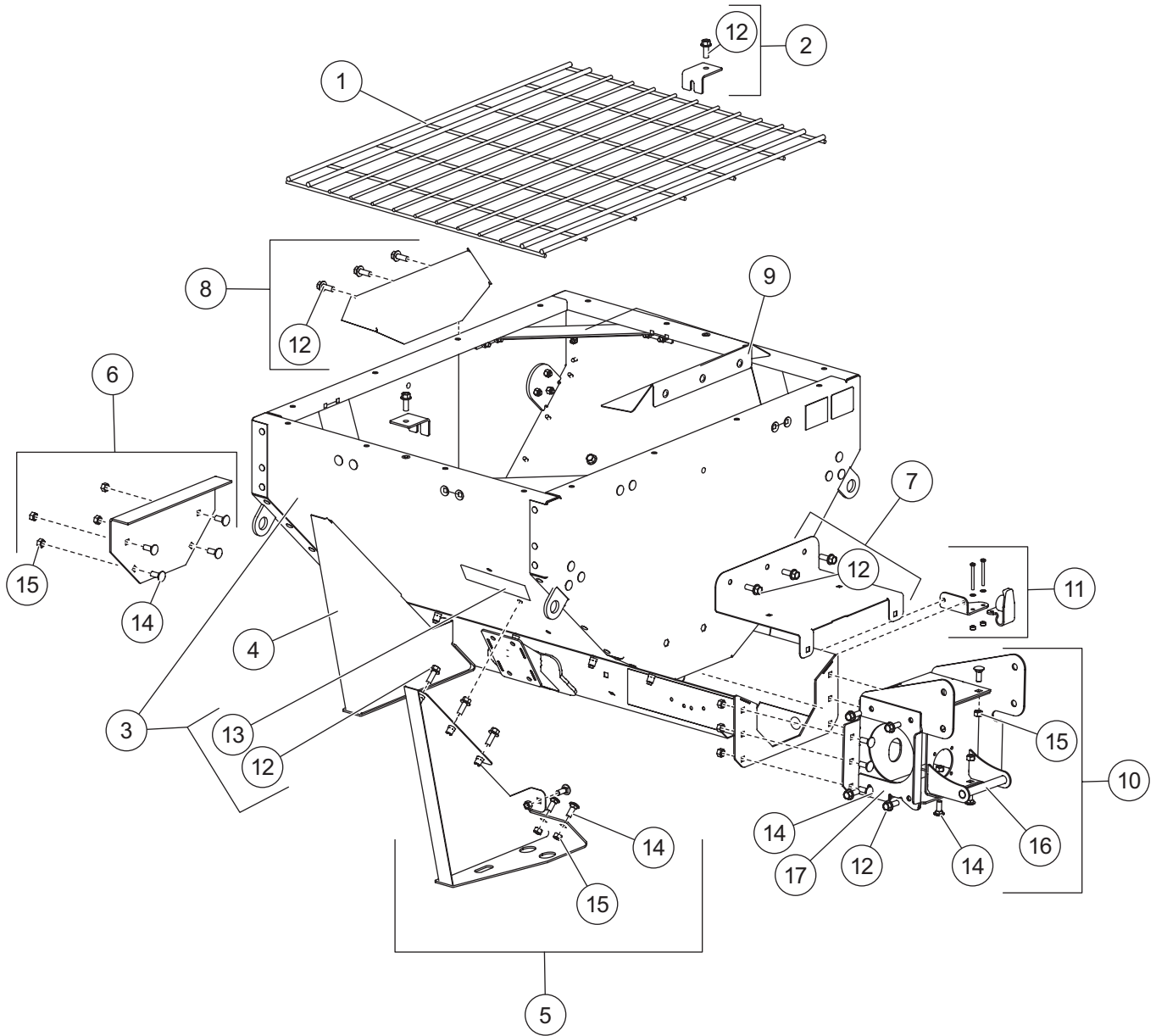


HELIXX™ STAINLESS STEEL HOPPER SPREADERS

Hopper Components							
Item	Part	Qty	Description	Item	Part	Qty	Description
1	74697	1	Top Screen – 0.7 yd ³	7	83283	1	Trough Extension Cover Service Kit
2	83896	1	Screen Attachment Kit	8	83308	1	Spinner Module Dust Cover Kit
3	83280	1	Hopper Service Kit – 0.7 yd ³	9	31594EN	2	Label – Warning/Caution, Spreaders
4	83281	1	Leg Service Kit A – 0.7 yd ³	10	67272	2	Label – Caution, Do Not Lift
5	83282	1	Leg Service Kit B – 0.7 yd ³	ns	D6335	2	Label – Warning, Rotating Auger
6	83277	1	Tail-Side Doghouse Kit – 0.7 yd ³				
Item 2				83896 Screen Attachment Kit			
		2	Top Screen Clamp	11		2	3/8-16 x 1 Serrated Flange Hex Cap Screw SS
Item 3				83280 Hopper Service Kit – 0.7 yd³			
			Hopper Assembly – 0.7 yd ³	10	67272	2	Label – Caution, Do Not Lift
9	31594EN	2	Label – Warning/Caution, Spreaders	11		24	3/8-16 x 1 Serrated Flange Hex Cap Screw SS
ns	D6335	2	Label – Warning, Rotating Auger				
Item 4				83281 Leg Service Kit A – 0.7 yd³			
		1	Rib Assembly, Cab-Side (A)	ns		3	3/8-16 x 1 Carriage Bolt
ns		3	3/8-16 x 1 Serrated Flange Hex Cap Screw SS	ns		3	3/8-16 Hex Locknut GB SS
				ns		3	3/8 Flat Washer Type A Wide SS
Item 5				83282 Leg Service Kit B – 0.7 yd³			
		1	Rib Assembly, Tail-Side (B)	12		3	3/8-16 x 1 Carriage Bolt
11		3	3/8-16 x 1 Serrated Flange Hex Cap Screw SS	13		3	3/8-16 Hex Locknut GB SS
				14		3	3/8 Flat Washer Type A Wide SS
Item 6				83277 Tail-Side Doghouse – 0.7 yd³			
		1	Tail-Side Doghouse – 0.7 yd ³	11		3	3/8-16 x 1 Serrated Flange Hex Cap Screw SS
ns		3	3/8-16 Hex Rivnut SS				
Item 7				83283 Trough Extension Cover Service Kit			
		1	Auger Extension Cover – 0.7 yd ³	11		4	3/8-16 x 1 Serrated Flange Hex Cap Screw SS
Item 8				83308 Spinner Module Dust Cover Kit			
		1	Spinner Harness Boot Bracket			1	Dust Cover, Spinner Plug
		2	#10-32 x 2 Hex Cap Screw			2	1/4-20 x 3/4 Hex Cap Screw SS
		4	#10 Flat Washer Type A SS			2	1/4-20 Hex Locknut GB
		2	#10-32 Hex Locknut GB				
ns = not shown				SS = Stainless Steel		G = Grade	

HELIXX™ STAINLESS STEEL HOPPER SPREADERS

HOPPER COMPONENTS – 0.35 yd³

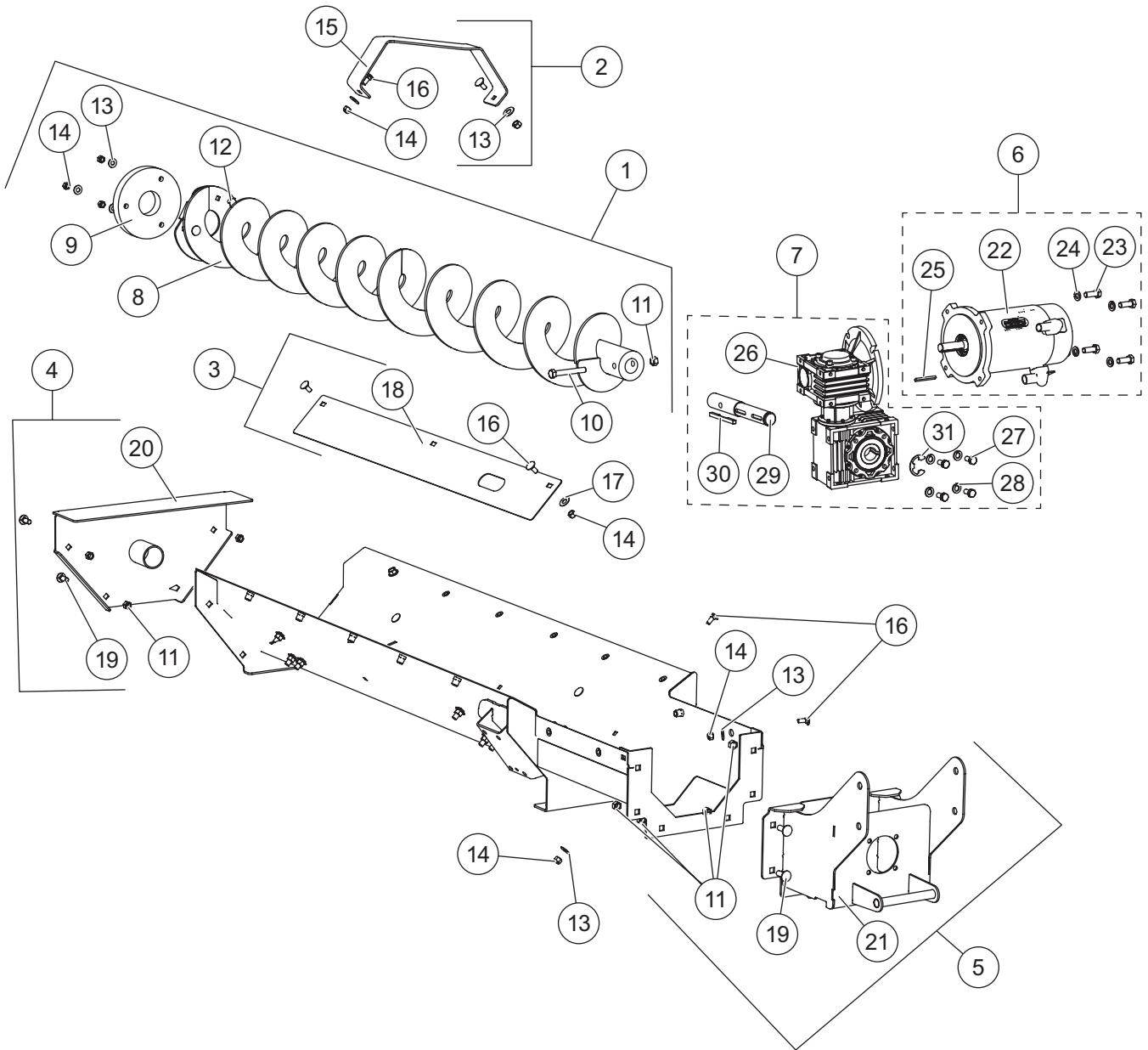


HELIXX™ STAINLESS STEEL HOPPER SPREADERS

0.35 yd³ Hopper Components							
Item	Part	Qty	Description	Item	Part	Qty	Description
1	74696	1	Top Screen – 0.35 yd ³	7	83289	1	Trough Extension Cover Service Kit – 0.35 yd ³
2	83896	1	Screen Attachment Kit	8	83279	1	Cab-Side Doghouse Kit – 0.35 yd ³
3	83285	1	Hopper Service Kit – 0.35 yd ³	9	83278	1	Tail-Side Doghouse Kit – 0.35 yd ³
4	83286	1	Leg Service Kit A – 0.35 yd ³	10	83291	1	Powergroup Attachment Kit – 0.35 yd ³
5	83287	1	Leg Service Kit B – 0.35 yd ³	11	83308	1	Spinner Module Dust Cover Kit
6	83897	1	Cab-Side Trough Cap Kit – 0.35 yd ³				
Item 2 83896 Screen Attachment Kit							
	2		Top Screen Clamp	12		2	3/8-16 x 1 Serrated Flange Hex Cap Screw SS
Item 3 83285 Hopper Service Kit – 0.35 yd³							
			Hopper Assembly – 0.35 yd ³	ns	D6335	2	Label – Warning, Rotating Auger
12	22		3/8-16 x 1 Serrated Flange Hex Cap Screw SS	13	31594EN	2	Label – Warning/Caution, Spreaders
Item 4 83286 Leg Service Kit A – 0.35 yd³							
	1		Leg – 0.35 yd ³ (A)	15		3	3/8-16 Hex Locknut GB SS
14	3		3/8-16 x 1 Carriage Bolt	ns		3	3/8-16 Hex Rivnut SS
Item 5 83287 Leg Service Kit B – 0.35 yd³							
	1		Leg – 0.35 yd ³ (B)	14		3	3/8-16 x 1 Carriage Bolt
ns	3		3/8-16 Hex Rivnut SS	15		3	3/8-16 Hex Locknut GB SS
Item 6 83897 Cab-Side Trough Cap Kit – 0.35 yd³							
	1		Front Trough Plate	ns		4	3/8 Flat Washer Type A Wide SS
14	4		3/8-16 x 1 Carriage Bolt	15		4	3/8-16 Hex Locknut GB SS
Item 7 83289 Trough Extension Cover Service Kit – 0.35 yd³							
	1		Trough Extension Cover – 0.35 yd ³	14		2	3/8-16 x 1 Carriage Bolt
12	3		3/8-16 x 1 Serrated Flange Hex Cap Screw SS	15		2	3/8-16 Hex Locknut GB SS
Item 8 83279 Cab-Side Doghouse Kit – 0.35 yd³							
	1		Cab-Side Doghouse	12		3	3/8-16 x 1 Serrated Flange Hex Cap Screw SS
ns	3		3/8-16 Hex Rivnut SS				
Item 9 83278 Tail-Side Doghouse Kit – 0.35 yd³							
	1		Tail-Side Doghouse – 0.35 yd ³	12		3	3/8-16 x 1 Serrated Flange Hex Cap Screw SS
ns	3		3/8-16 Hex Rivnut SS				
Item 10 83291 Powergroup Attachment Kit – 0.35 yd³							
	1		Powergroup Frame – 0.35 yd ³	15		10	3/8-16 Hex Locknut GB SS
12	4		3/8-16 x 1 Serrated Flange Hex Cap Screw SS	16		1	Chute Hanger – 0.35 yd ³
14	10		3/8-16 x 1 Carriage Bolt	17		1	Hanger Plate Cap
Item 11 83308 Spinner Module Dust Cover							
	1		Spinner Harness Boot Bracket			1	Dust Cover, Spinner Plug
	2		#10-32 x 2 Hex Cap Screw			2	1/4-20 x 3/4 Hex Cap Screw SS
	2		#10 Flat Washer Type A SS			2	1/4-20 Hex Locknut GB
	2		#10-32 Hex Locknut GB SS				
ns = not shown				SS = Stainless Steel		G = Grade	

HELIXX™ STAINLESS STEEL HOPPER SPREADERS

DRIVETRAIN COMPONENTS – 0.7 yd³

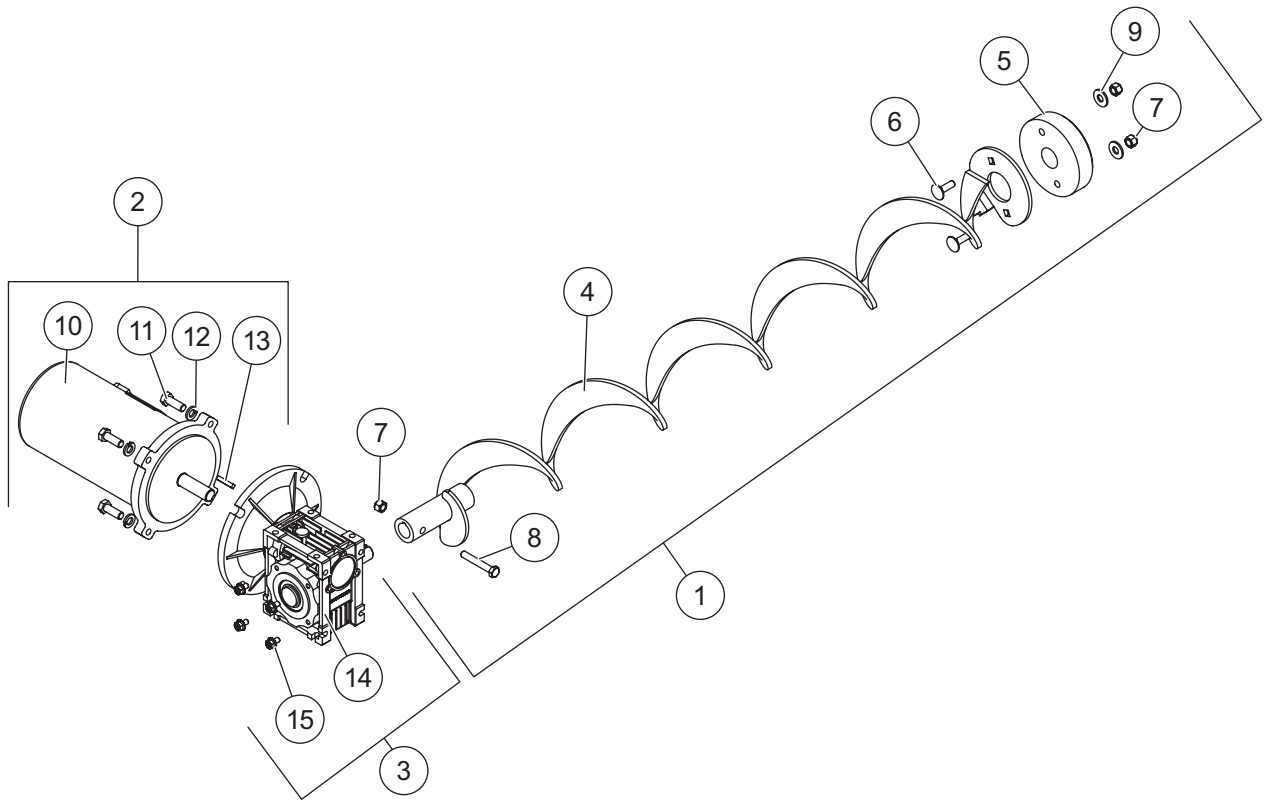


HELIXX™ STAINLESS STEEL HOPPER SPREADERS

Drivetrain Components – 0.7 yd ³							
Item	Part	Qty	Description	Item	Part	Qty	Description
1	83892	1	Auger Kit – 0.7 yd ³	5	83284	1	Powergroup Attachment Kit – 0.7 yd ³
2	85422	1	Auger Keeper Kit – 0.7 yd ³	6	85479	1	Motor Kit, 1/2 hp
3	83891	1	Wear Plate Kit – 0.7 yd ³	7	85431	1	Transmission Kit
4	83898	1	Cab-Side Trough Cap Kit – 0.7 yd ³				
Item 1				83892 Auger Kit – 0.7 yd³			
8	74684	1	Auger, 60 x 6 OD	12		3	5/16-18 x 1 Carriage Bolt
9	11888	1	Front Auger Bearing	13		3	5/16 Flat Washer SS
10		1	3/8-16 x 2-3/4 Hex Cap Screw	14		3	5/16-18 Hex Locknut GB
11		1	3/8-16 Hex Locknut GB				
Item 2				85422 Auger Keeper Kit – 0.7 yd³			
13		2	5/16 Flat Washer SS	15		1	Auger Keeper
14		2	5/16-18 Hex Locknut GB	16		2	5/16-18 x 3/4 Carriage Bolt SS
Item 3				83891 Wear Plate Kit – 0.7 yd³			
14		2	5/16-18 Hex Locknut GB	17		2	5/16 Flat Washer, Type A Narrow
16		2	5/16-18 x 3/4 Carriage Bolt SS	18		1	Auger Wear Plate
Item 4				83898 Cab-Side Trough Cap Kit – 0.7 yd³			
11		4	3/8-16 Hex Locknut GB	20		1	Cab-Side Trough Plate
19		4	3/8-16 x 1 Carriage Bolt				
Item 5				83284 Powergroup Attachment Kit – 0.7 yd³			
11		6	3/8-16 Hex Locknut GB	21		1	Auger Powergroup Attachment
19		6	3/8-16 x 1 Carriage Bolt	ns		6	3/8 Flat Washer, Type A Wide SS
Item 6				85479 Motor Kit, 1/2 hp			
22	D6825-1	1	Motor, 1/2 hp, 1750 rpm	24		4	3/8 Spring Lock Washer SS
23		4	3/8-16 x 1 Hex Cap Screw SS	25	65195	1	Machine Key, 0.188 sq x 1.000
Item 7				85431 Transmission Kit			
26	31098	1	10 x 10 2X Worm Gear Drive	29	11892	1	Auger Driveshaft
27		4	M8-1.25 x 16 Hex Cap Screw SS	30	99572	1	Machine Key, 1/4 x 3
28		4	M8 Spring Lock Washer SS	31	330	1	1" Retaining Ring
ns = not shown		SS = Stainless Steel		M = Metric		G = Grade	

HELIXX™ STAINLESS STEEL HOPPER SPREADERS

DRIVETRAIN COMPONENTS – 0.35 yd³

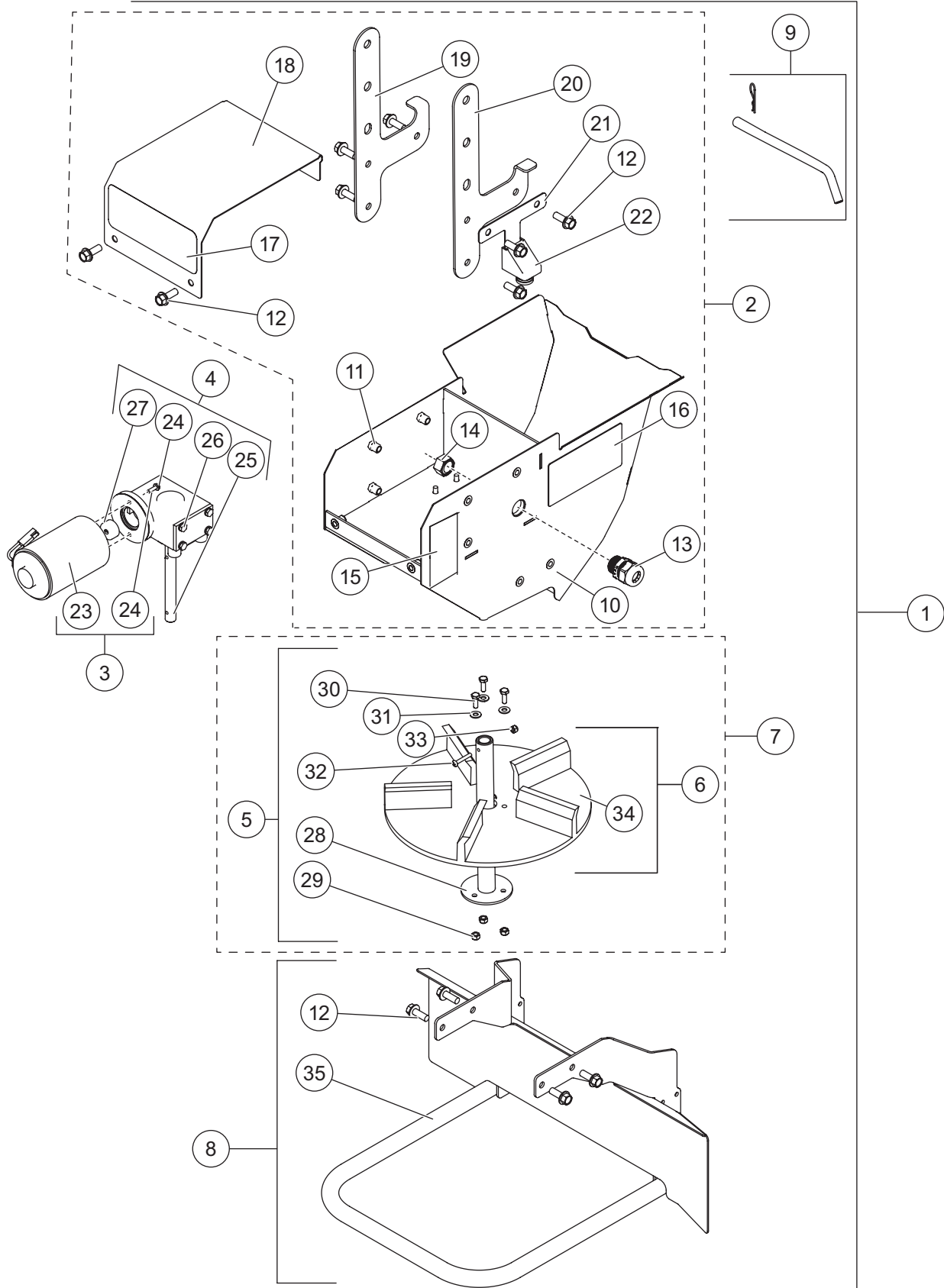


HELIXX™ STAINLESS STEEL HOPPER SPREADERS

Drivetrain Components – 0.35 yd ³							
Item	Part	Qty	Description	Item	Part	Qty	Description
1	83290	1	Auger Kit – 0.35 yd ³	3	83270	1	Transmission Kit, 80:1
2	85479	1	Motor Kit, 1/2 hp				
Item 1				83290 Auger Kit – 0.35 yd³			
4	74674	1	Auger, 38 x 4 OD	7		3	5/16-18 Hex Locknut GB SS
5	74651	1	Front Auger Bearing, 4 OD	8		1	5/16-18 x 2 Hex Cap Screw SS
6		2	5/16-18 x 1 Carriage Bolt	9		2	5/16-18 Flat Washer SS
Item 2				85479 Motor Kit, 1/2 hp			
10	D6825-1	1	Motor, 1/2 hp, 1750 rpm	12		4	3/8 Spring Lock Washer SS
11		4	3/8-16 x 1 Hex Cap Screw SS	13		1	Machine Key, 3/16 x 1
Item 3				83270 Transmission Kit, 80:1			
14	10923	1	Transmission, 80:1	15		4	M6-1 x 10 Flanged Hex Cap Screw
			G = Grade				SS = Stainless Steel
							M = Metric

HELIXX™ STAINLESS STEEL HOPPER SPREADERS

SPINNER DRIVE COMPONENTS – 0.7 yd³ & 0.35 yd³

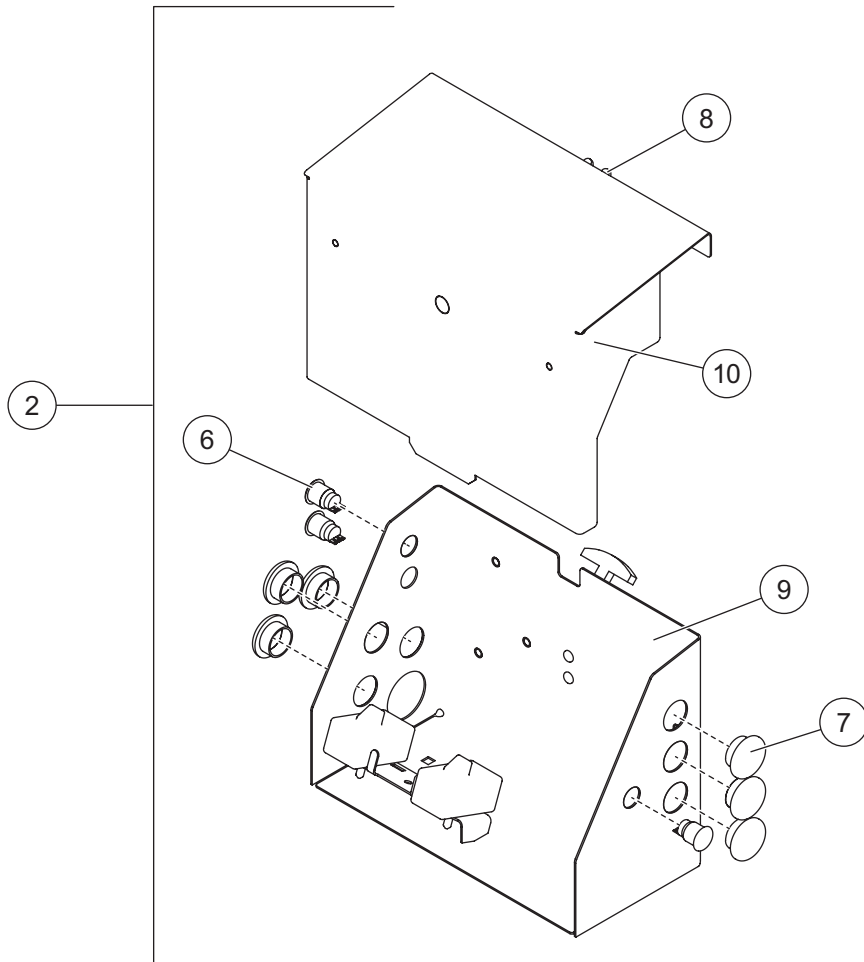
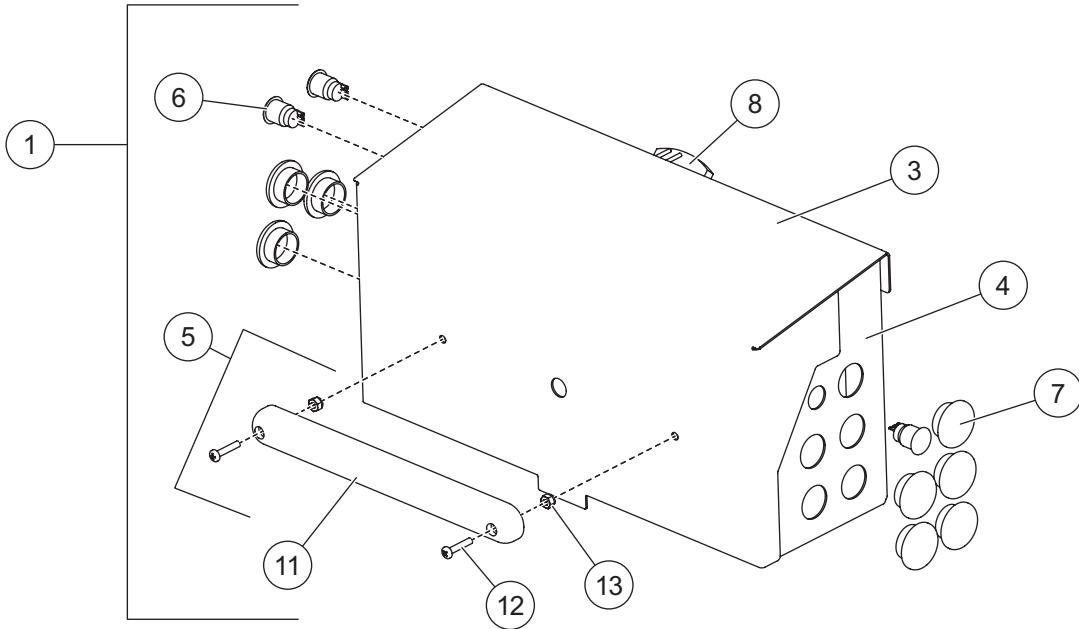


HELIXX™ STAINLESS STEEL HOPPER SPREADERS

Spinner Drive Components – 0.7 yd³ & 0.35 yd³							
Item	Part	Qty	Description	Item	Part	Qty	Description
1	83890	1	Chute Assembly	5	83889	1	Spinner Mount Kit
2	83888	1	Spinner Drive Housing	6	85438	1	Spinner Disk Service Kit
3	75901	1	Spinner Motor Service Kit	7	83887	1	Spinner Disk and Mount Kit
4	83722	1	Spinner Transmission Kit	8	85437	1	Spinner Guard Service Kit
Item 1				83890 Chute Assembly			
	74690	1	Spinner Drive Assembly	9	30879	2	Chute Pin Kit
Item 2				83888 Spinner Drive Housing			
10		1	Chute Motor Enclosure	17	30917EN	1	Label – Warning, No Step
11		12	3/8-16 Hex Rivnut SS	18		1	Chute Motor Cover
12		8	3/8-16 x 1 Serrated Flange Hex Cap Screw SS	19	91639	1	Chute Hanger, DS
13		1	10/2 3/4 NPT Strain Relief	20	91641	1	Chute Hanger, PS
14		1	3/4 Nut, Nylon	21		1	Cable Boot Bracket
15	32593EN	2	Label – Warning, Multiple Pinch Points	22	11992	1	Dust Cover, Spinner Harness
16	92969	1	Label – Warning, Chute Disconnect	ns	11100	1	Label – Warning, Rear Camera
Item 3				75901 Spinner Motor Service Kit			
23		1	Motor	24		2	#10-32 x 5/8 Hex Cap Screw
Item 4				83722 Spinner Transmission Kit			
24		2	#10-32 x 5/8 Hex Cap Screw	26		4	1/4-20 x 1/2 Hex Cap Screw
25	D6107	1	Worm Transmission 8:1, 5.9" Shaft	27	D6232	1	Motor Drive Coupler
Item 5				83889 Spinner Mount Kit			
28		1	Spinner Hub	31		3	1/4 Flat Washer, Type A Narrow
29		3	1/4-20 Hex Locknut GB	32		2	#10-32 x 2 Hex Cap Screw
30		3	1/4-20 x 3/4 Hex Cap Screw SS	33		2	#10-32 Hex Locknut GB
Item 6				85438 Spinner Disk Service Kit			
34	D6823	1	12 x 5/8 Spinner	ns		3	1/4 Flat Washer SS
ns		3	1/4-20 x 1 Serrated Flange Hex Cap Screw SS	ns		3	1/4-20 Nylon Nut
Item 7				83887 Spinner Disk and Mount Kit			
5	83889	1	Spinner Mount Kit	6	85438	1	Spinner Disk Service Kit
Item 8				85437 Spinner Guard Service Kit			
12		4	3/8-16 x 1 Serrated Flange Hex Cap Screw SS	ns		4	3/8-16 Hex Locknut SS
				35		1	Deflector
Item 9				30879 Chute Pin Kit			
		1	Chute Locking Pin			1	3/32 x 2-1/4 Hairpin Cotter
		G = Grade				SS = Stainless Steel	
						ns = not shown	

HELIXX™ STAINLESS STEEL HOPPER SPREADERS

ELECTRICAL ENCLOSURE COMPONENTS – 0.7 yd³ & 0.35 yd³

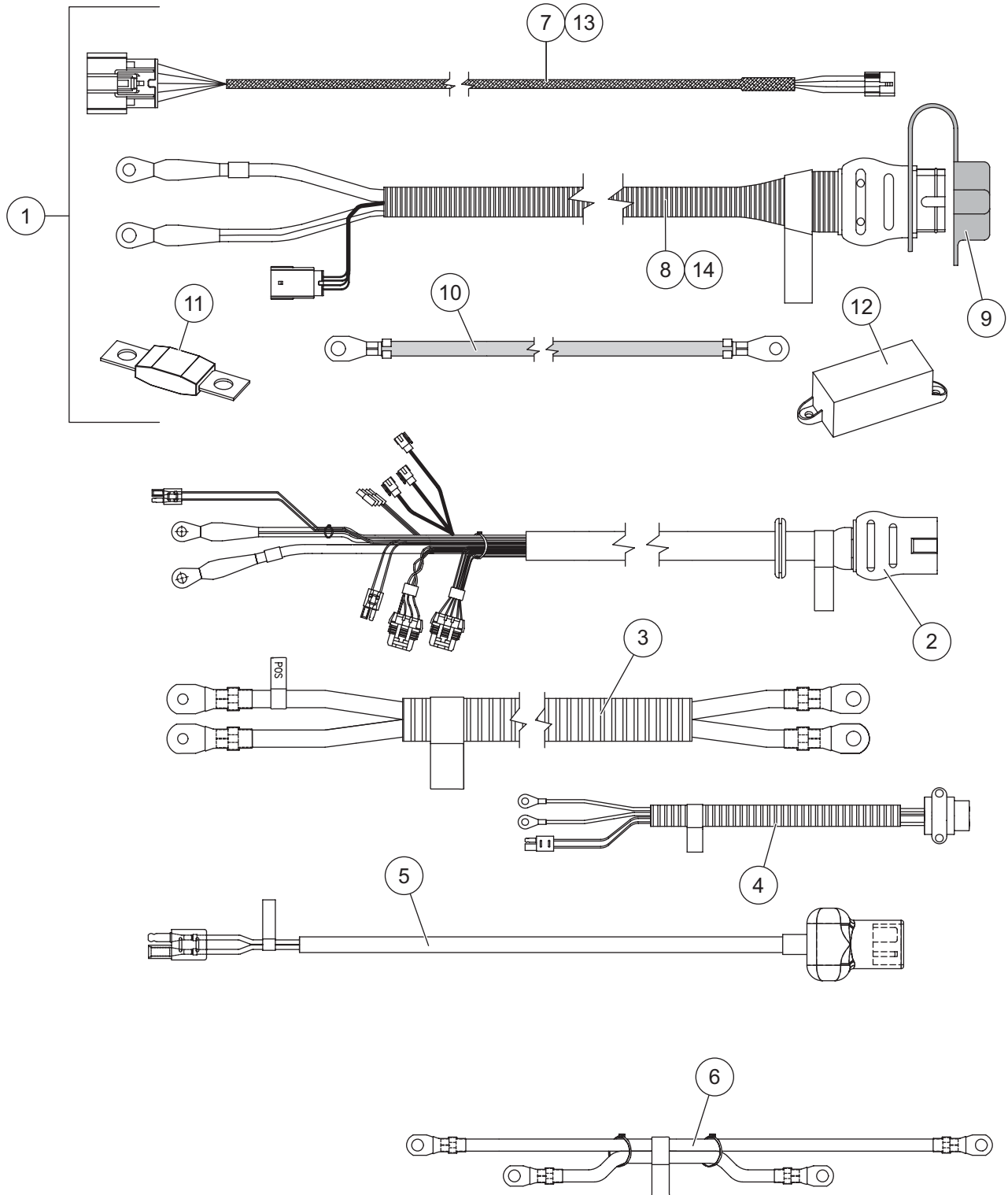


HELIXX™ STAINLESS STEEL HOPPER SPREADERS

Electrical Enclosure Components – 0.7 yd³ & 0.35 yd³							
Item	Part	Qty	Description	Item	Part	Qty	Description
1	83299	1	Electrical Box Assembly – 0.7 yd ³	2	83292	1	Electrical Box Assembly – 0.35 yd ³
Item 1				83299 Electrical Box Assembly – 0.7 yd³			
3		1	Mailbox Cover – 0.7 yd ³	8		1	Keeper
4		1	Electrical Enclosure – 0.7 yd ³	ns		1	Rubber Latch Assembly
5	99080	1	CHMSL Kit	ns		4	3/16 Pop Rivet
6	99254	3	Switch, Push Button MO	ns	85480	1	Label – Information, Feed/Work Light
7	99195	8	Break-Thru Plug	ns	85481	1	Label – Information, Feed Light
Item 2				83292 Electrical Box Assembly – 0.35 yd³			
6	99254	3	Switch, Push Button MO	ns		1	Rubber Latch Assembly
7	99195	6	Break-Thru Plug	ns		4	3/16 Pop Rivet
8		1	Keeper	ns	85480	1	Label – Information, Feed/Work Light
9		1	Electrical Enclosure – 0.35 yd ³	ns	85481	1	Label – Information, Feed Light
10		1	Mailbox Cover – 0.35 yd ³				
Item 5				99080 CHMSL Kit			
11		1	CHMSL w/8" Lead	13		2	#10-32 Hex Locknut GB SS
12		2	#10-32 x 1 Machine Screw				
		G = Grade		SS = Stainless Steel		ns = not shown	

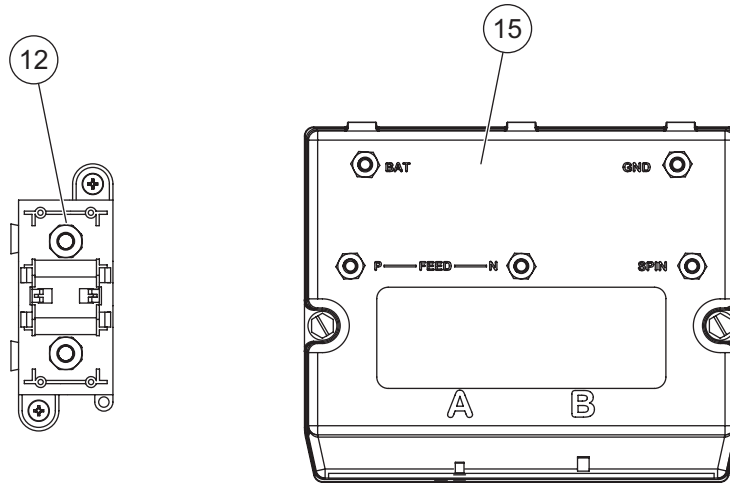
HELIXX™ STAINLESS STEEL HOPPER SPREADERS

ELECTRICAL COMPONENTS – 0.7 yd³ & 0.35 yd³



Not drawn to scale.

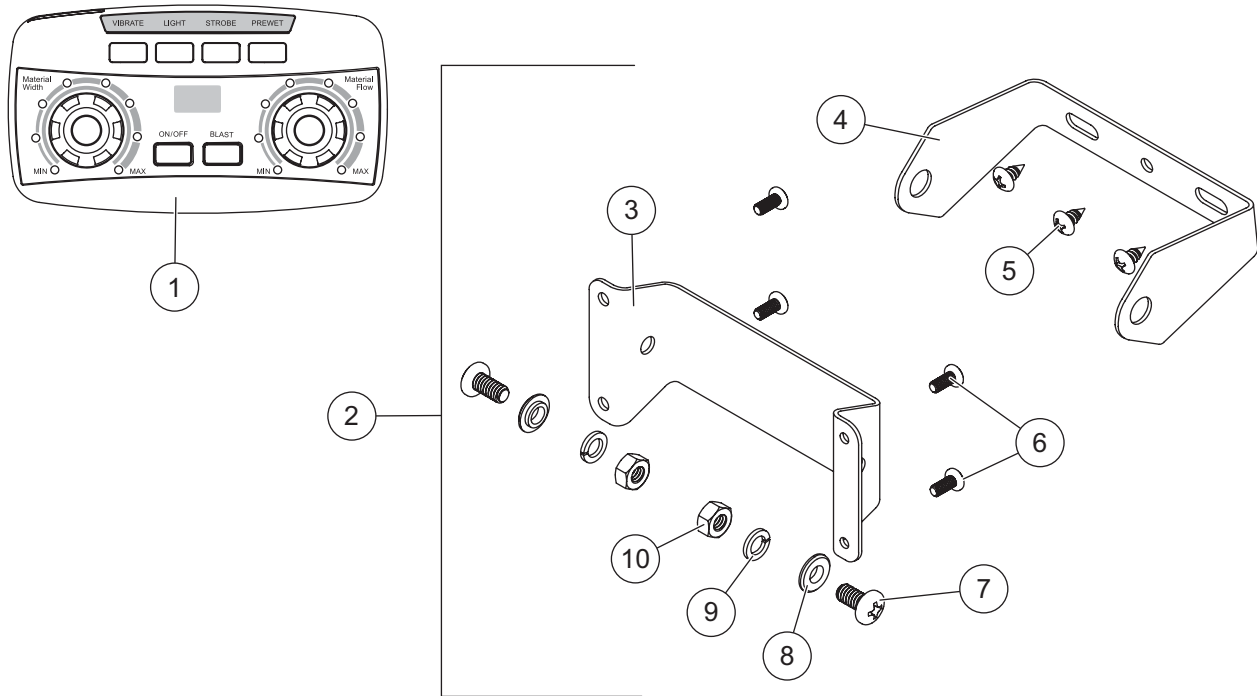
HELIXX™ STAINLESS STEEL HOPPER SPREADERS



Cables & Harnessing, Electrical Components – 0.7 yd³ & 0.35 yd³							
Item	Part	Qty	Description	Item	Part	Qty	Description
1	78402	1	Vehicle-Side Harness Kit, 300"	5	78883	1	Spinner Motor Cable Assembly
	85692	1	Vehicle-Side Harness Kit, 140"	6	78385	1	Module to Isolated Stud Cable Assy
2	83688	1	Hopper Cable Assembly	ns	69916	1	8-Pin Cable Boot
3	78987	1	Module to Auger Motor Cable Assy	ns	61592	1	Butt Splice
4	85448	1	Spinner Module Cable Assembly				
Item 1	78402 Vehicle-Side Harness Kit, 300"						
7	69902	1	Vehicle Control Harness	11	95836	1	Fuse, 100A
8	83690	1	Vehicle Harness Assy (incl. item 10)	12	95837	1	Fuse Holder/Isolated Stud Block
9	99759	1	Plug Cover	ns		6	Cable Tie, HD
10	22511	1	22" Battery Cable – Red	ns		10	Cable Tie, 15.35"
Item 1	85692 Vehicle-Side Harness Kit, 140"						
10	22511	1	22" Battery Cable – Red	ns		2	1/4-20 x 3/4 Hex Cap Screw SS
11	95836	1	Fuse, 100A	ns		2	1/4-20 Hex Locknut GB
12	95837	1	Fuse Holder/Isolated Stud Block	ns		2	1/4 Flat Washer Type A Narrow
13	69901	1	Vehicle Control Harness	ns		6	Cable Tie, HD
14	78904	1	Vehicle Harness Assy (incl. item 10)	ns		10	Cable Tie, 15.35"
Electrical Box Components							
12	95837	1	Fuse Holder/Isolated Stud Block	15	52375	1	Spreader Module, 5-Post
ns = not shown		G = Grade			SS = Stainless Steel		

HELIXX™ STAINLESS STEEL HOPPER SPREADERS

CAB CONTROL



52430 Cab Control Kit						
Item	Part	Qty	Description	Item	Part	Qty Description
1	52432	1	Cab Control 2-Knob	2	52345	1 Cab Control Bracket Kit
Item 2						
52345 Cab Control Bracket Kit						
3		1	Bracket, Control Inner	7		2 1/4-20 x 1/2 Pan Head Machine Screw SS – Black
4		1	Bracket, Control Outer	8		2 1/4 Shoulder Washer SS – Black
5		3	#10 x 3/8 Pan Head Tapping Screw SS	9		2 1/4 Spring Lock Washer SS
6		4	#8 x 3/8 Pan Head Machine Screw	10		2 1/4-20 Hex Nut G5 – Black
SS = Stainless Steel				G = Grade		

HELIXX™ STAINLESS STEEL HOPPER SPREADERS

ACCESSORIES

Part	Description	Part	Description
85456	Primary Work Light Kit	85698	Side Extensions – 0.35 yd ³
85457	Auxiliary Work Light Kit	85699	Side Extensions – 0.7 yd ³
85458	Strobe Light Kit	85693	Truck Conversion Kit – 0.35 yd ³
85694	License Plate Kit	85706	Inverted V Kit – 0.35 yd ³
85459	Vibrator Kit	85707	Inverted V Kit – 0.7 yd ³
68790	Ratchet Strap Kit (pkg of 4)	85689	Pre-Wet Kit, 50 gal
99080	CHMSL Kit	78402	Vehicle Side Harness Kit – 0.7 yd ³
83270	Shutter Deflector Accessory Kit	30064	Tarp Kit – 0.35 yd ³
85692	Vehicle Side Harness Kit – 0.35 yd ³	30066	Tarp Kit – 0.7 yd ³
85696	Spill Guards – 0.35 yd ³	30055	Bungee Kit, 9" – 0.35 yd ³
85697	Spill Guards – 0.7 yd ³	30056	Bungee Kit, 15" – 0.7 yd ³



TrynEx International, LLC
531 Ajax Drive
Madison Heights, MI 48071-2429
www.snowexproducts.com

 A DIVISION OF DOUGLAS DYNAMICS, LLC

Copyright © 2023 Douglas Dynamics, LLC. All rights reserved. This material may not be reproduced or copied, in whole or in part, in any printed, mechanical, electronic, film, or other distribution and storage media, without the written consent of TrynEx International, LLC. Authorization to photocopy items for internal or personal use by TrynEx International outlets or spreader owner is granted.

TrynEx International reserves the right under its product improvement policy to change construction or design details and furnish equipment when so altered without reference to illustrations or specifications used. TrynEx International or the vehicle manufacturer may require or recommend optional equipment for spreaders. Do not exceed vehicle ratings with a spreader. TrynEx International offers a limited warranty for all spreaders and accessories. See separately printed page for this important information. The following are registered (®) or unregistered (™) trademarks of Douglas Dynamics, LLC: HELIXX™, SnowEx®.

Printed in U.S.A.