

Cummins Generator

Prime: 18KW/22.5KVA
Standby: 20KW/25KVA



GENERATOR POWER SOLUTIONS

Increased availability for new operations

Reliable, robust and versatile generator.
Ready to deliver power for a next job.

Increased uptime during operations

Once installed on the end-user-site, the generator will be ready to run: "peace of mind" operation.

Reduced transport and installation costs

The compact and robust design with integrated transport features enables faster and safer transport and installation.

Reduced service & maintenance costs

Longer service intervals.
Quicker and more efficient service jobs.

Premium resale value

Designed and built to last.

SAFETY

- Operate safely in accordance with proper operation manual.
- To prevent trouble and accidents perform daily and preventive maintenance checks without fail.

Technical Data

Model		AJ- 25C
Prime power	kva	22,5
	kw	18
Standby power	kva	25
	kw	20
Rated voltage line to line	V	230/400
Rated current	A	36
Maximun sound level	dB@7m	70

Engine

Cummins

Model		4B3.9-G11
Aspiration		Four-stroke, water-cooled, In line, Natural aspirated
Fuel system		BYC A electrical governor
No. cylinders		4
Displacement	L	3,9
Bore*Stroke	mm	102x120
Compression ratio		18.0:1
Rated speed	r/min	1500
Governor		Electric system
Engine wet weight	kg	308
Engine idel speed		700-900
Fire order		1-3-4-2
Start Motor	V	24

Exhause System

Max exhaust back pressure	kPa	10
---------------------------	-----	----

Air intake System

Max inlet pressure (Dirty air)	kPa	6,2
Max inlet pressure (Clean air)	kPa	3,7

Fuel System

110% load(Standby power)	L/h	6,1
100% load(Prime power)	L/h	5,7
75% load(Prime power)	L/h	4,6
50% load(Prime power)	L/h	3,7
25% load(Prime power)	L/h	2,4

Lubrication System

Idle speed oil pressure	kPa	207
Governed speed oil pressure	kPa	345
Max Oil temp	°C	121
Oil capacity	L	10,9

Cooling System

Coolant capacity--Engine only	L	7,2
Max coolant friction head to engine	Kpa	35
Max water temp standby/prime powe	°C	110/104

Standard Features

Engine(Cummins ENGINE)	●
Radiator 50°C max,fans are driven by belt	●
24V charge alternator	●
Alternator: single bearing alternator IP23	●
insulation class H/H	●
Standard auto control system	●
One set of air filter, fuel filter, oil filter	●
Main line circuit breaker / ACB	●
Base fuel tank	●
Two 24V batteries, rac and cable	●
Exhaust system(Ripple flex exhaust pipe)	●
Exhaust siphon, flange, muffler	●
User manual	●
Battery charge	●

Options

Water heater	<input type="radio"/>
Alternator heater	<input type="radio"/>
PMG	<input type="radio"/>
Water oil separator	<input type="radio"/>
Daily fuel tank	<input type="radio"/>
Remote control panel	<input type="radio"/>
Automatic transfer switch/ATS	<input type="radio"/>
Switch box	<input type="radio"/>

Standard: ●

Options:○

Alternator

Model		TAL-A40-G/20KW
Alternator Brand		Leroy somer
Phase		3
Voltage	V	230/400
Wiring Type		12 wires
Bearing		1
Power factor		0,8
Frequency	Hz	50
Prime power	KVA	25
Exciter Type		Brushless, self-excitation
Voltage regulation	%	±0.5

Protection Grade

IP 23

Insulation grade

H

Controller

Deepsea

Model

DSE 6120

Built-in governor and AVR control

Base load (kW export) functionality

Mains (utility) de-coupling protection

Generator power (kW, kVA) monitoring

Overload (kW & kV Ar) protection

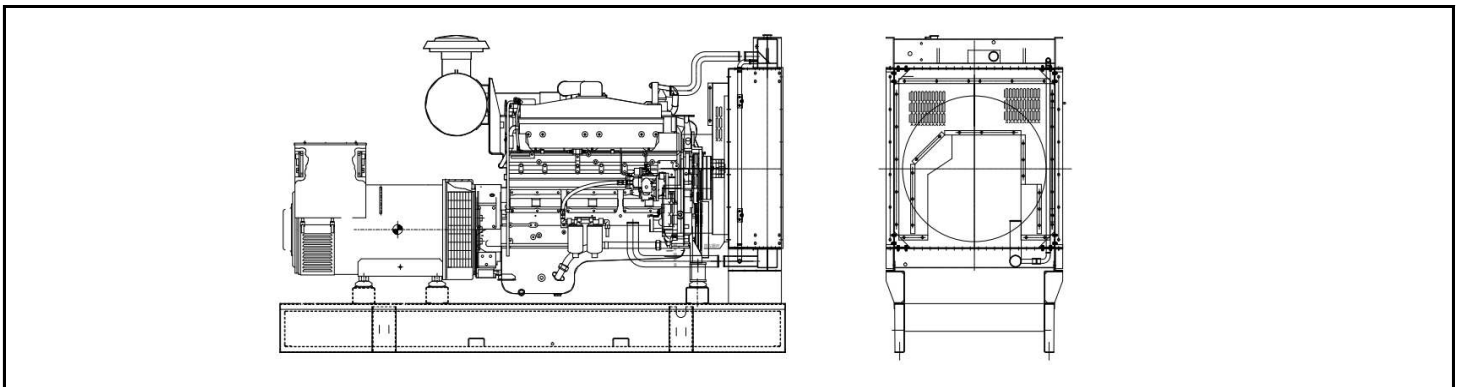
Emergency stop

Start failure

Etc...

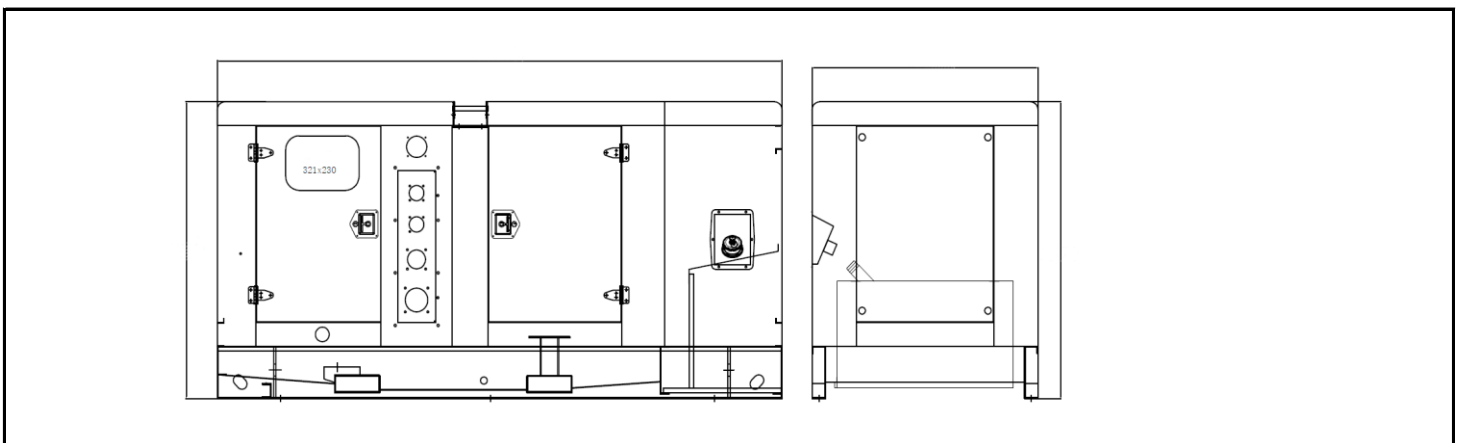


Unit Dimensions(Basic unit)



Open Type

L*W*H	mm	1650*850*1250
Weight	kg	780



Silent Type

L*W*H	mm	2300*950*1300
Weight	kg	1080

Warranty

Cummin Engine

12 months from date of purchase or 1000 hours.

Generator

12 months from date of purchase or 1000 hours

(whichever comes first).