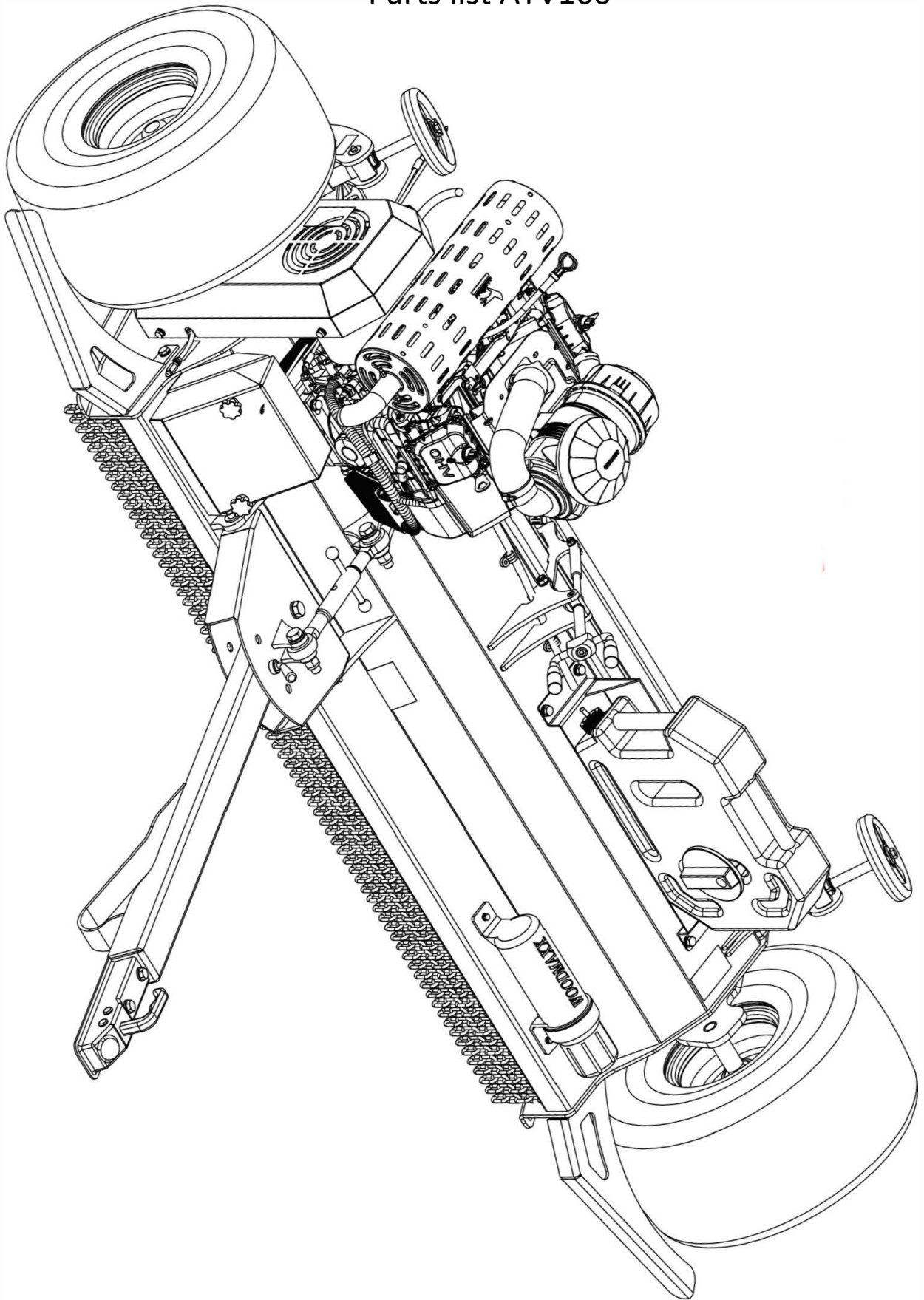
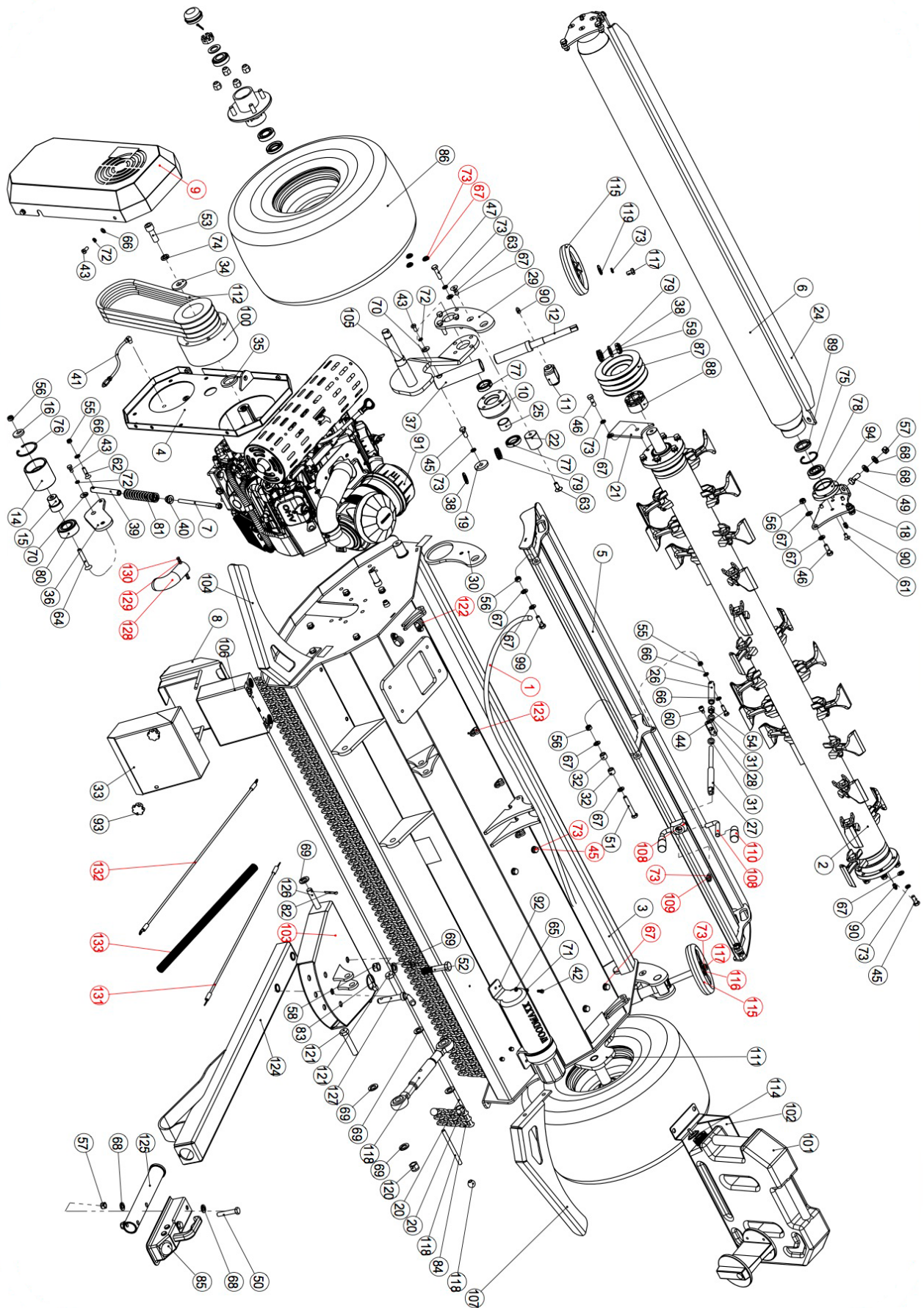


Parts list ATV160





DK·TEC

Serial No.	Stock number	Code	English Name	Qty
1	3200100030	Φ7×1000	Fuel tank tube	1
2	2090001605	G.AF160-001	G.AF160-001 Knife shaft assembly	1
3	2020001994	G.AF160-010	Metal cover weldment	1
4	2020001998	G.AF160-012	Pulley cover bottom plate weldment	1
5	2020001995	G.AF160-013	Cover weldment	1
6	2020001999	G.AF160-016	Roller weldment	1
7	2020002001	G.AF160-017	Long screw weldment	1
8	2020002002	G.AF160-018	Battery mounting plate weldment	1
9	2000001000	G.AF160-101	Pulley cover	1
10	2010000723	G.AF160-103	Tire adjustment sleeve	2
11	2010000724	G.AF160-104	Adjustment bearing housing	2
12	2010000725	G.AF160-105	Adjustment screw	2
13	2000001006	G.AF160-107	Adjustment board	1
14	2010000721	G.AF160-108	Tensioner	1
15	2010000720	G.AF160-110	Tightening axis	1
16	2000001017	G.AF160-111	Tensioner plate	1
17	2000001004	G.AF160-112	Roller left adjustment plate	1
18	2000001002	G.AF160-113	Roller right adjustment plate	1
19	2000001008	G.AF160-115	Adjusting shaft plate	2
20	2010000722	G.AF160-117	Chain pin	1
21	2000001001	G.AF160-118	Side panel sealing	1
22	2010000726	G.AF160-122	Stud	2
23	2000001007	G.AF160-124	Large hole adjustment plate	1
24	2000001011	G.AF160-125	Scraper	1
25	2010000728	G.AF160-127	Spacer	2
26	2010000729	G.AF160-129	Threaded sleeve	1
27	2010000731	G.AF160-130	Rocker	1
28	2010000730	G.AF160-131	Rotating sleeve	1
29	2000001014	G.AF160-132	Adjustment plate 2	1
30	2000001015	G.AF160-133	Large hole adjustment plate 2	1
31	2000001013	G.AF160-134	Gasket	2
32	2010000732	G.AF160-135	Spacer	2
33	2000001016	G.AF160-146	Battery mounting panel	1
34	2000001010	G.AF160-148	Engine shaft end cap	1
35	2000001009	G.AF160-149	Clutch gasket	1
36	2000001005	G.AF160-119	Pulley tension plate	1
37	2010000727	G.AF160-151	Adjustment screw	2
38	2000001012	G.AF160-152	Gasket	4
39	2010000059	L.TRE220-107	Tensioning rod	1
40	2010000060	L.TRE220-124	Spring seat	1
41	2090000194		Fueling device	1
42	3040100005	GB/T 5783-2000	Hex head bolt full thread M6×16	5
43	3040100021	GB/T 5783-2000	Hex head bolt full thread M8×16	7
44	3040100025	GB/T 5783-2000	Hex head bolt full thread M8×30	1
45	3040100043	GB/T 5783-2000	Hex head bolt full thread M10×25	16
46	3040100045	GB/T 5783-2000	Hex head bolt full thread M10×30	14
47	3040100047	GB/T 5783-2000	Hex head bolt full thread M10×40	8

48	3040100049	GB/T 5783-2000	Hex head bolt full thread M10×50	4
49	3040100067	GB/T 5783-2000	Hex head bolt full thread M12×30	2
50	3040100076	GB/T 5783-2000	Hex head bolt full thread M12×65	2
51	3040300010	GB/T 5782-2000	Semi-threaded hexagon bolt M10×70	1
52	3040300059	GB/T 5782-2000	Semi-threaded hexagon bolt M16×85	1
53	3041600023	5/8-18×45	Hexagon socket head cap screw 5/8-18×45	1
54	3050100007	GB/T 41-2000	Hex nut M12	1
55	3050500003	GB/T 889.1-2000	Lock nut M8	4
56	3050500004	GB/T 889.1-2000	Lock nut M10	12
57	3050500007	GB/T 889.1-2000	Lock nut M12	4
58	3050500009	GB/T 889.1-2000	Lock nut M16	1
59	3051000005	OW-GUK28	Round lock nut M20×1.5	2
60	3060100024	GB/T 70.1-2000	Hexagon socket head cap screw M8×12	2
61	3060200017	GB/T 70.3-2000	Hexagon socket head screw M8×16	8
62	3060200021	GB/T 70.3-2000	Hexagon socket head screw M8×35	1
63	3060200033	GB/T 70.3-2000	Hexagon socket head screw M10×25	4
64	3060200042	GB/T 70.3-2000	Hexagon socket head screw M10×70	1
65	3080100003	GB/T 95-2002	Flat washer 6×1.6	5
66	3080100004	GB/T 95-2002	Flat washer 8×1.6	9
67	3080100006	GB/T 95-2002	Flat washer 10×2	55
68	3080100007	GB/T 95-2002	Flat washer 12×2.5	8
69	3080100009	GB/T 95-2002	Flat washer 16×3	8
70	3080200008	GB/T 96.2-2002	Large washer 8×2	3
71	3080500006	GB/T 93-1987	Spring pad 6	5
72	3080500007	GB/T 93-1987	Spring pad 8	7
73	3080500008	GB/T 93-1987	Spring pad 10	37
74	3080500011	GB/T 93-1987	Spring pad 16	1
75	3080600033	GB 893.1-86	Hole retaining ring type A 52	2
76	3080600038	GB 893.1-86	Hole circlip type A 62	1
77	3100100063	GB/T 276-94	UBC bearing 61906-2Z	4
78	3100200006	GB/T 281-94	Self-aligning ball bearing 1304	2
79	3100400001	GB/T 301-1995	Thrust ball bearings 51104	4
80	3101600014 3101600014	GB/T 296-94	Double row angular contact ball bearings 320	1
81	3110200009	L.TRE220-112	Spring 125x28x4.5	1
82	3120100107	GB/T 91-2000	Cotter pin 5×40	2
83	3120400009	8	Lock pin - color zinc	1
84	3130100010	F.2S/J225-104	Protective chain 5x20x28	73
85	3130500003	50×50"	Trailer connector	1
86	2090001604	G.AF160-027	Big tire assembly	2
87	3160400062	SPB140-3 147	Pulley (3 slots)	1
88	3160500001	Z3A-35-60	Sleeve 35x60	1
89	3170100007	GB/T 13871.1-2007	TC oil seal 35x52x8	2
90	3170400005	G1/8	Butter mouth	5
91	3200200032	2V80	Loncin 2V80 engine 24HP (with fuel pump)	1
92	3210300012	WOODMAXX	WOODMAXX instruction manual holder	1
93	3210500016	M8	Seven-point knob nut	2
94	3240300005	G.OS145-133	Roller bearing	2
95	3250100136	YB001	51.5*27.5 decals	4

96	3250100139	YB004	50*90 decal	1
97	3250100141	YB006	50*90 decal	1
98	3250100145	YB010	90*50 decal	1
99	3040100046	GB/T 5783-2000	Hex head bolt full thread M10×35	2
100	3161100011	NFCY-LX36.53-165-115SPB3C	Centrifugal clutch	1
101	3200100029	10L (46*33*10cm)	10L gasoline plastic fuel tank (with suction pipe)	1
102	2020002004	G.AF160-020	Fuel tank mounting bracket weldment	1
103	2020001996	G.AF160-023	Drawbar seat weldment	1
104	2000001003	G.AF160-120	Right protective plate	1
105	2020002000	G.AF160-015	Right adjustment plate weldment	1
106	3190400001	12V-20AH(180*75*168)	Battery	1
107	2000001018	G.AF160-150	Left protective cover	1
108	2020001986	G.AF160-021	Handle weldment	1
109	3060100037	GB/T 70.1-2000	Hexagon socket head cap screw M10×16	1
110	3210500004	ATV120.101	Handle glove	2
111	2020002003	G.AF160-022	Left adjustment plate weldment	1
112	3160300077	SPB-1143	V belt	3
114	2010000733	G.AF160-153	Fuel tank connector	1
115	3140100045	Φ160-14×14	Adjustment hand wheel	2
116	3080300004	GB/T 5287-2002	Large washer 10×3	1
117	3040100039	GB/T 5783-2000	Hex head bolt full thread M10×16	2
118	2090001607	G.AF160-026	Adjusting rod assembly	1
119	3080200009	GB/T 96.2-2002	Large washer 10×2.5	1
120	3050600007	GB/T 889.2-2000	Lock nut teeth M16x1.5	2
121	3040300057	GB/T 5782-2000	Semi-threaded hexagon bolt M16×80	2
122	3130600020	Φ22	22mm clamp	2
123	3130600021	Φ13	13mm clamp	3
124	2020001997	G.AF160-025	Tie rod weldment	1
125	2010000717	G.AF160-154	Connecting pipe	1
126	2010000718	G.AF160-155	Trolley pin	1
127	2010000719	G.AF160-156	Tire height adjustment pin	1
128	2020002005	G.AF160-024	Engine exhaust pipe welding assembly	1
129	3050100002	GB/T 41-2000	Hex nut M5	2
130	3040100002	GB/T 5783-2000	Hex head bolt full thread M5×20	2
131	3190100024	520-8AWG-M6-M10	Negative main line (black)	1
132	3190100025	820-8AWG-M6-M8	Positive main line (red)	1
133	3190100018	DA25 20MM	corrugated pipe	1