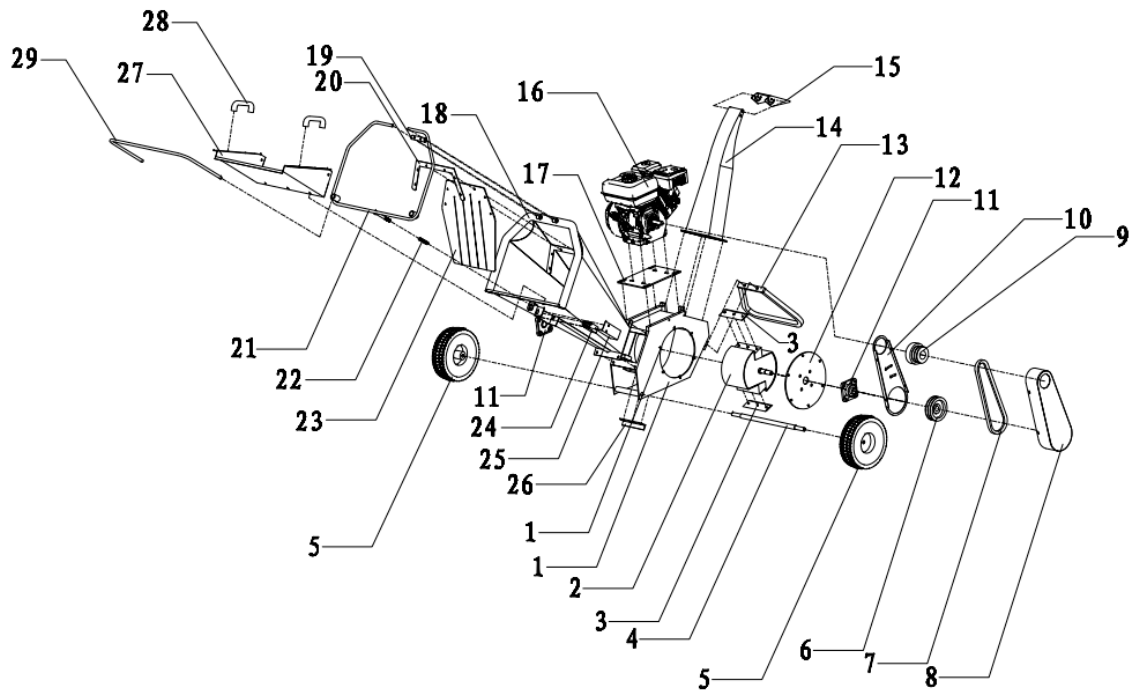


## Explosion View



Ref.No.	Description	Ref.No.	Description
1	foundation	16	engine
2	Roller	17	Engine fixation plate
3	Blade	18	In-feed
4	Wheel axis	19	Emergency stop fixation
5	Wheel	20	Rubber fixation
6	Pulley	21	Emergency stop switch
7	Belt	22	spring
8	Belt cover	23	rubber
9	Clutch	24	Switch
10	Belt inner cover	25	Switch cover
11	Bearing	26	Lower Blade
12	Bearing fixation plate	27	In-Feed extension
13	Support foot	28	handle
14	Discharge chute	29	Switch extension
15	Chute adjust		