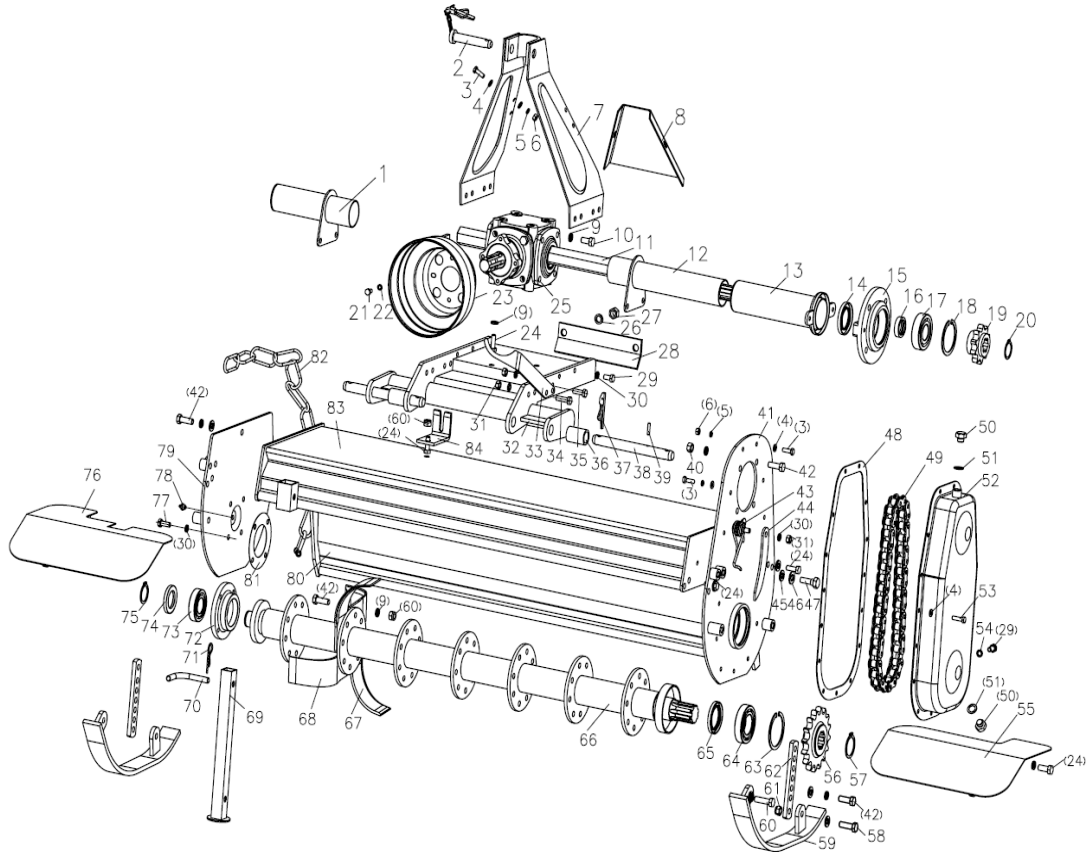


# Part list

**FTL:**



NO.	Part NO.		Name & Specifications	Quantity
1	FTL.125.018	803400077	Shaft protection pipe(R)	1
2	EF100.00.019	803440016	Suspense pin	1
3	GB5783-M8X25	501011100	Bolt M8×25	17
4	GB97.1-8	506010055	Plain washer 8	23
5	GB93-8	506030035	Spring washer 8	23
6	GB6170-M8	503010045	Nut M8	17
7	FTL.125.014	803400032	Side suspense weldment	1
8	1GQ-125.11.110	703340184	Rear suspense protection plate	1
9	GB93-12	506030037	Spring washer 12	93

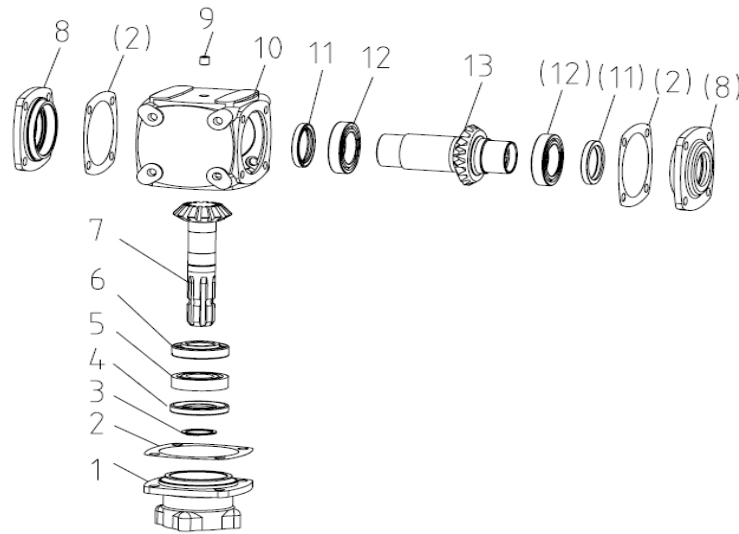
10	GB5783-M12X25	501011125	Bolt M12×25	12
11	FTL.85.130	703360193	Drive shaft	1
	FTL.85.130	703360193	Drive shaft	1
	FTL.105.130	703380194	Drive shaft	1
	FTL.105.130	703380194	Drive shaft	1
	FTL.125.130	703400195	Drive shaft	1
	FTL.125.130	703400195	Drive shaft	1
	FTL.145.130	703430196	Drive shaft	1
	FTL.145.130	703430196	Drive shaft	1
12	FTL.85.019	803360081	Shaft protection pipe(L)	1
	FTL.85.019	803360081	Shaft protection pipe(L)	1
	FTL.105.019	803380082	Shaft protection pipe(L)	1
	FTL.105.019	803380082	Shaft protection pipe(L)	1
	FTL.125.019	803400083	Shaft protection pipe(L)	1
	FTL.125.019	803400083	Shaft protection pipe(L)	1
	FTL.145.019	803420084	Shaft protection pipe(L)	1
	FTL.145.019	803420084	Shaft protection pipe(L)	1
13	FTL.85.020	803360090	Main protection pipe	1
	FTL.85.020	803360090	Main protection pipe	1
	FTL.105.020	803380091	Main protection pipe	1
	FTL.105.020	803380091	Main protection pipe	1
	FTL.125.020	803400092	Main protection pipe	1
	FTL.125.020	803400092	Main protection pipe	1
	FTL.145.020	803420093	Main protection pipe	1
	FTL.145.020	803420093	Main protection pipe	1
14	CFW-45X72X10	510020631	Oil seal FB45x72x10	1

15	MZ105.128	703400012	Bearing seat	1
16	MZ105.124-1	703400010	Oil seal sleeve	1
17	GB281-1307	511024243	Bearing 1307	1
18	GB893.1-80	506060191	Circlip 80	1
19	MZ105.127	703400011	Drive chain wheel	1
20	GB894.1-32	506060315	Circlip 32	1
21	GB5783-M8X16	501011098	Bolt M8×16	5
22	GB93-8	506030035	Spring washer 8	23
23	FM120.00.199	703400008	PTO shaft cover	1
24	GB5783-M12X30	501011126	Bolt M12×30	9
25	FTL.125.011	803400001	Gear box Assembly	1
26	GB93-14	506030038	Spring washer 14	2
27	GB6170-M14	503010048	Nut M14	2
28	FTL.125.112	703400177	Deck fixing plate	1
29	GB5783-M10X20	501011111	Bolt M10×20	5
30	GB93-10	506030036	Spring washer 10	17
31	GB6170-M10	503010046	Nut M10	9
32	FTL.125.012	803400016	Gear box supporting plate	1
33	1GQR-105.101	703320195	Hook	1
34	GB5783-M10X35	501011114	Bolt M10×35	2
35	GB5783-M10X30	501011113	Bolt M10×30	6
36	EF100.00.106	700920096	Pin sleeve	2
37	200.56.011	700080010	Combined lock pin	2
38	FTL.125.124	703400178	suspense pinshaft	2
39	GB879.1-6X30	508011537	Elastic cylindrical pin 6x30	2
40	GB6170-M12	503010047	Nut M12	4
41	FTL.125.025	803430002	Left supporting plate weldment	1
42	GB5783-M12X35	501011127	Bolt M12×35	68
43	FTL.125.133	703400197	Adjusting lath spring	1
44	FTL.125.134	703400180	Adjusting lath	1
45	GB97.1-12	506010057	Plain washer 12	8
46	GB97.1-14	506010058	Plain washer 14	2
47	FTL.125.136	703400182	Bolt	2
48	FTL.125.139	703400198	Wood gasket	1
49	FTL.125.013	703400031	Transmission Chains 16Ax17	1
50	CBW-00.112	703140008	Oil plug M16x1.5x15	2

51	JB982-16	510015240	Combined oil seal 16	2
52	FTL.125.026	803400138	Cover weldment of chain box	1
53	GB5783-M8X30	501011101	Bolt M8×30	2
54	JB982-10	510015237	Combined oil seal 10	1
55	FTL.85.027	803360142	Protecting handrail weldment(LH)	1
	FTL.95.027	803370143	Protecting handrail weldment(LH)	1
	FTL.105.027	803380144	Protecting handrail weldment(LH)	1
	FTL.115.027	803390145	Protecting handrail weldment(LH)	1
	FTL.125.027	803400146	Protecting handrail weldment(LH)	1
	FTL.135.027	803410147	Protecting handrail weldment(LH)	1
	FTL.145.027	803420148	Protecting handrail weldment(LH)	1
	FTL.155.027	803430149	Protecting handrail weldment(LH)	1
56	FTL.125.140	703400199	Driven chain wheel	1
57	GB894.1-42	506060322	Circlip 42	1
58	GB5783-M12X40	501011128	Bolt M12×40	2
59	FTL.125.021	803400100	Active plate	2
60	GB5783-M12X45	501011129	Bolt M12×45	2
61	DIN985-M12	503010763	Lock nut M12	60
62	FTL.125.135	703400181	Adjusting plate	2
63	GB893.1-85	506060193	Circlip 85	1
64	GB276-6209	511022615	Bearing 6209	1
65	CFW-50X72X10	510020451	Oil seal FB50x72x10	1
66	FTL.85.024	803360121	Shaft for blade	1
	FTL.95.024	803370122	Shaft for blade	1
	FTL.105.024	803380123	Shaft for blade	1
	FTL.115.024	803390124	Shaft for blade	1
	FTL.125.024	803400125	Shaft for blade	1
	FTL.135.024	803410126	Shaft for blade	1
	FTL.145.024	803420127	Shaft for blade	1
	FTL.155.024	803430128	Shaft for blade	1

67	1GQ.11.127	703340191	Blade( R )	14
68	1GQ.11.128	703340192	Blade( L )	14
69	FTL.125.016	803400047	Support	1
70	RB-00.101	707180017	The brance pin	1
71	ZL-25.104	703340017	R pin	1
72	1GQ-125.11.104-1	703340195	Bearing seat	1
73	GB276-6207	511022613	Bearing 6207	1
74	GB13871-FB-40X62X10	510020386	Oil seal FB40x62x10	1
75	GB894.1-35	506060317	Circlip 35	1
76	FTL.85.028	803360159	Protecting handrail weldment(RH)	1
	FTL.95.028	803370160	Protecting handrail weldment(RH)	1
	FTL.105.028	803380161	Protecting handrail weldment(RH)	1
	FTL.115.028	803390162	Protecting handrail weldment(RH)	1
	FTL.125.028	803400163	Protecting handrail weldment(RH)	1
	FTL.135.028	803410164	Protecting handrail weldment(RH)	1
	FTL.145.028	803420165	Protecting handrail weldment(RH)	1
	FTL.155.028	803430166	Protecting handrail weldment(RH)	1
77	GB5783-M10X25	501011112	Bolt M10×25	4
78	GB1152-M10X1	509010009	Grease nipple M10x1	1
79	FTL.125.015	803400040	Right supporting plate weldment	1
80	FTL.85.022	803360103	Rear protecting plate weldment	1
	FTL.95.022	803370104	Rear protecting plate weldment	1
	FTL.105.022	803380105	Rear protecting plate weldment	1
	FTL.115.022	803390106	Rear protecting plate weldment	1
	FTL.125.022	803400107	Rear protecting plate weldment	1
	FTL.135.022	803410108	Rear protecting plate weldment	1

	FTL.145.022	803420109	Rear protecting plate weldment	1
	FTL.155.022	803430110	Rear protecting plate weldment	1
81	1GQ-125.11.105	703340178	Bearing seat gasket	1
82	LH-6X300	707180018	Chain $\phi 6 \times 300 \text{mm}$	1
83	FTL.85.017	803360050	Deck	1
	FTL.95.017	803370051	Deck	1
	FTL.105.017	803380052	Deck	1
	FTL.115.017	803390053	Deck	1
	FTL.125.017	803400054	Deck	1
	FTL.135.017	803410055	Deck	1
	FTL.145.017	803420056	Deck	1
	FTL.155.017	803430057	Deck	1
84	FTL.125.153	703400183	Chain fixing bracket	1



NO.	Part NO.		Name & Specifications	Quantity
1	FTL.125.102	703400003	Bearing seat for input shaft	1
2	FTL.125.106	703400005	Paper washer for rear-cover	1
3	GB894.1-35	506060317	Circlip 35	1
4	CFW-35X72X10	510020398	Oil seal 35X72X10	1

5	GB276-6207	511022613	Bearing 6207	1
6	GB297-30207	511016411	Bearing 30207	1
7	FTL.125.107	703400006	Input shaft	1
8	FTL.125.103	703400004	Bearing seat	2
9	ZBT32001.3-ZG3/8-19"	516010003	Oil plug ZG3/8-19"	1
10	FTL.125.101	703400002	Gear box case	1
11	CFW-50X68X8	510020390	Oil seal FB50x68x8	2
12	GB276-6010	511022559	Bearing 6010	2
13	FTL.125.108	703400007	Output shaft	1